

# Combi, commode/shower chair, powered tilt



REF: 201942314

**MAX:**  
**150 kg/330 lbs**

**EN Visual inspection**

Inspect the product regularly. Check to ensure that material is free from damage.

**SE Visuell inspektion**

Gör regelbundna funktionskontroller av produkten. Kontrollera att materialet är helt fritt från skador.

**NO Visuell inspeksjon**

Gjør regelmessige funksjonskontroller av produktet. Kontroller at materialet er helt og uten skader.

**DK Visuel inspektion**

Foretag regelmæssig funktionskontrol af produktet. Kontroller, at materiale er helt og ikke udviser tegn på beskadigelse.

**FI Silmämääräinen tarkastus**

Tarkasta tuotteen toimivuus säännöllisesti. Tarkasta, ettei materiaalissa ole mitään vaurioita.

**DE Sichtprüfung**

Unterziehen Sie das Hilfsmittel regelmäßigen Funktionskontrollen. Vergewissern Sie sich, daß das Material unbeschädigt ist.

**NL Visuele controle**

Inspecteer het product regelmatig. Controleer op mogelijke beschadigingen van het materiaal.

**FR Inspection visuelle**

Effectuer des inspections régulières du fonctionnement du produit. Vérifier que le matériau est entièrement exempt de dommages.

**IT Ispezione visiva**

Testare il funzionamento del prodotto regolarmente. Verificare che il materiale non sia danneggiato.

**ES Inspección visual**

Realice periódicamente un control de funcionamiento del producto. Asegúrese de que el material no presente ningún tipo de desperfecto.

**EN Before use**

Ensure that the product is correctly mounted/installed.

**SE Före användning**

Kontrollera att produkten är rätt monterad/installerad.

**NO Før bruk**

Kontroller at produktet er korrekt installert.

**DK Før brug**

Kontroller, at produktet er korrekt samlet.

**FI Ennen käyttöä**

Tarkasta, että tuote on asennettu oikein.

**DE Vor der Benutzung**

Prüfen Sie das Produkt auf korrekte Montage.

**NL Voor gebruik**

Zorg ervoor dat het product juist is gemonteerd.

**FR Avant l'utilisation**

Vérifier que le produit est correctement installé.

**IT Prima dell'uso**

Verificare che il prodotto sia installato correttamente.

**ES Antes de su uso**

Compruebe que el producto esté correctamente instalado.

**EN Always read the manual**

Always read the manual.

Keep the manual where it is easily accessible for users of the product.

**SE Läs alltid manualen**

Läs alltid manualen.

Förvara manualen tillgänglig för användare av produkten.

**NO Les alltid manualen**

Les alltid manualen.

Oppbevar manualen tilgjengelig for brukere av produktet.

**DK Læs altid manualen**

Læs altid manualen.

Opbevar manualen tilgængelig for brugere af produktet.

**FI Lue aina käyttöohje**

Lue aina käyttöohje.

Säilytä käyttöohje tuotteen käyttäjien saatavilla.

**DE Lesen Sie stets die gebrauchsanweisung**

Lesen Sie stets die gebrauchsanweisung.

Verwahren Sie die Anleitung so, dass sie der Anwender des Produktes rasch zur Hand hat.

**NL Lees altijd de handleiding**

Lees altijd de handleiding.

Bewaar de handleiding zo dat deze voor gebruikers van het product altijd beschikbaar is.

**FR Toujours lire le manuel**

Toujours lire le manuel.

Conserver le manuel pour qu'il soit accessible aux utilisateurs du produit.

**IT Leggere sempre il manuale**

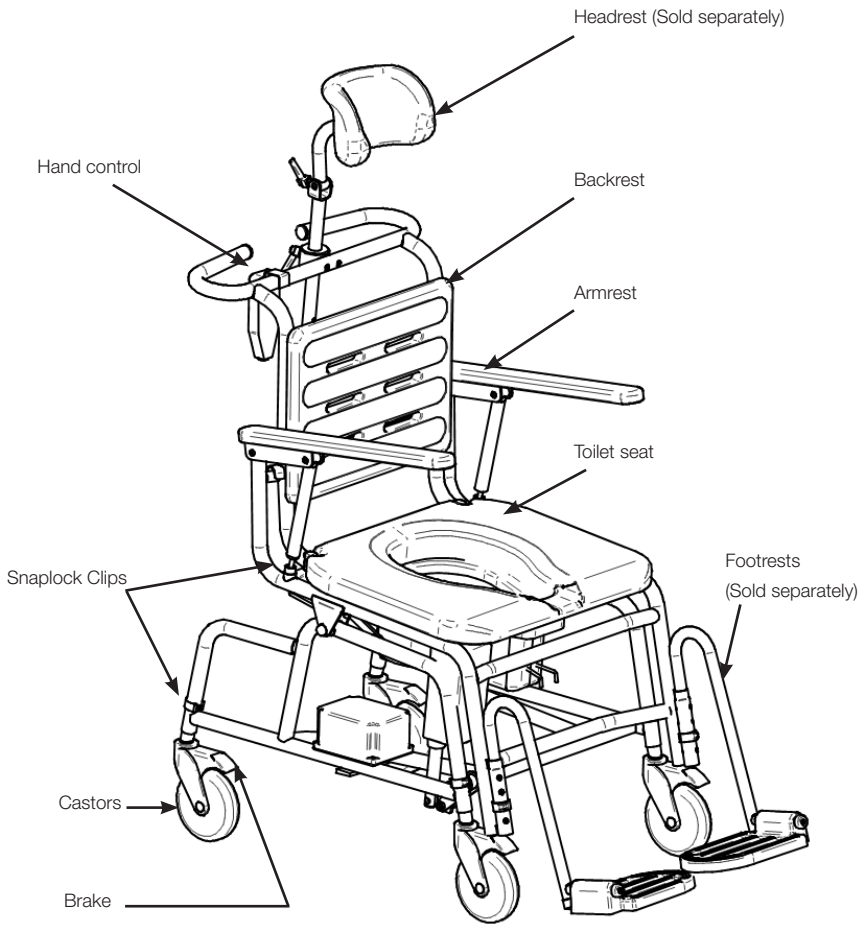
Leggere sempre il manuale.

Tenere il manuale delle istruzioni in un luogo facilmente accessibile agli operatori che utilizzano il prodotto.

**ES Lea siempre el manual**

Lea siempre el manual.

Guarde el manual en un lugar accesible para el usuario del producto.



# Instructions for use

These instructions apply to product 201942314 Combi commode/shower chair, powered tilt

## Overview and Use:

The Combi power tilt is a very versatile chair, suited for dependent individuals who require assistance with personal hygiene.

Manufactured entirely of rust-proof materials and components, the Combi power tilt includes 4 locking, plastic castors. The chair can be used as a commode, a shower chair and a transport chair for indoor use. The Combi power tilt chair features a backwards tilt of up to 25°, which facilitates perineal care and also transport of users who are unable to sit comfortably in an upright position. The 5° forward tilt is especially helpful during transfer to and from the chair, whether using manual methods or a mechanical lift.

The Combi power tilt chair features fold up armrests, useful for both caregiver and user during assisted transfers. The polyurethane (PUR) seat, backrest, and armrests provide comfortable, anti-slip padding for the user.

## Assembly

### Frame Assembly - see figure 1:

Remove the snaplocks and mount the backrest into the holes in the frame. Replace the snaplocks, ensuring they are inserted correctly into the steel tube with both pins correctly placed in the holes. It is possible, although not necessary, to detach the backrest when the Combi chair is used over a toilet.



Figure 1

### Assembling the castors - see figure 2:

FRONT castors: Insert the inner-tube (castor) into the chair leg, aligning the larger hole of the castor tube with the hole in the leg tube. Insert the snaplock at the appropriate height with the black part facing to the front.

REAR castors: Insert the inner-tube (castor) into the chair leg, aligning the larger hole of the castor tube with the hole in the leg tube. Insert the snaplock at the appropriate height with the black part facing to the back.

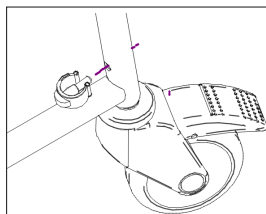


Figure 2

To ensure proper alignment of the castors, the snaplock pin will not fit into the tubes if the holes are mis-aligned.

## Bedpan / Bucket rails:

The bed pan / bucket rails can be used in combination with a keyhole (fig.3) or round shaped bucket (fig.4).



Figure 3



Figure 4



Figure 5

### To assemble - see figure 6:

The two end pieces

(B, on the drawing) rest on the rear of the seat frame.

For keyhole shape bucket, insert the two front rods (A) into the inner holes (C).

For all other bucket shapes use the outer holes (D).

If no bucket or bed pan is being used, the rails may be detached so the chair fits easily over a toilet.

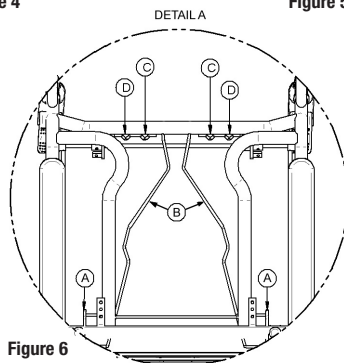


Figure 6

## Individual Adjustment -see figure 7

### Attachment of castors & frame height adjustment:

The pin on the snaplock clip narrows in width from the front towards the end. The hole in the tubing is bigger on one side and narrower on the other side. This safety feature means that the snaplock clip can only be inserted in one way into the tubing, ensuring the castors to be mounted correctly.

Front castor: insert snaplock clip into tube hole from rear of tubing so pin points frontwards.

Rear castor: insert snaplock clip into tube hole from rear of tubing so pin points backwards.

### Height Adjustment:

By re-positioning the snaplocks on the chair legs, the Combi chair may be adjusted to 6 different heights.

To adjust the height of the chair:

1. Remove snaplock
2. Select one of the 6 positions
3. Reinsert snaplock.

Repeat for all 4 legs.

IMPORTANT: Check that all four legs are the same height and that all of the snaplocks are inserted correctly into the frame before use.

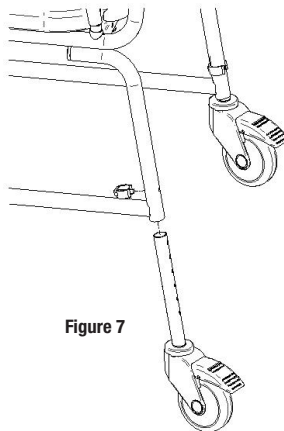


Figure 7

## Tilting function:

The Combi power tilt chair can be tilted 5° forward and 25 ° backwards.

**IMPORTANT: Before using the tilting function remember to lock all four castors.**

The tilting function is operated by means of a battery operated actuator activated via a hand control on the pushbar. While the backwards tilt may be operated with the chair empty, the forward tilt requires a counterweight to facilitate the movement for the caregiver.

The caregiver may stand either behind or beside the chair to operate the tilting mechanism. Press the “UP” arrow (a) to tilt the chair backwards. Press the “DOWN” arrow (b) to tilt the chair forwards. Stop the tilt mechanism at any angle by removing your finger from the hand control button.

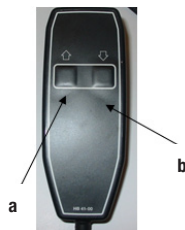


Figure 8

## Charging the Battery:

The battery can be charged by plugging in the adaptor at 220V.

The plug needs to be inserted again after charging to prevent water leaking into the actuator.

Unplug the battery from the actuator (see figure 9 & 10)



Figure 9



Figure 10

Plug the battery in the adaptor and the adaptor in the socket (see figure 11 & 12).



Figure 11



Figure 12

After recharging, remove the adaptor and plug the battery in the actuator (figure 9).

## Maintenance / Cleaning

To ensure longevity of the chair and safety for the user, the following should be included in the daily inspection:

- Inspect and clean the wheels of dust and dirt.
- Inspect and clean the wheel brakes of dust and dirt.
- Check that all screws and nuts are properly tightened.
- Check that the snaplock clips are securely fastened.
- To prolong battery life, charge in between use (see “Charging the Battery”).

After each use, or according to facility protocol, the Combi power tilt chair may be cleaned/disinfected with non-abrasive, non-corrosive solutions. The PUR seat and backrest can be detached for cleaning, as can the bucket / bedpan rails (NOTE: the rear section of the bucket / bedpan holder must be lifted upwards before removing the two rods from the holes). They can be washed up to 85 degrees Celsius / 3 minutes. Avoid harsh solvents and chlorine. If alcohol is used to clean the black polyurethane, discolouration may occur. Ensure all parts are re-attached correctly prior to use.



### Warning:

- Max. load Combi power tilt: 150 kg / 330 lb.
- The tilt mechanism should ONLY be operated by the caregiver.
- Prior to use, unplug charging cable.
- Check the condition of the snaplocks frequently, and regularly check that the snaplocks are inserted correctly into the frame.
- Lock castors when chair is stationary and also during transfers to and from the chair.
- The Combi power tilt chair is not designed to be used as seating for extended-periods.
- The Combi power tilt chair should be pulled backwards over thresholds. For optimal caregiver ergonomics, the push handles should be at elbow height.
- Always use the Combi power tilt chair with armrests in place (folded down). Armrests (and footrests, if present) should only be flipped up during transfer to and from the chair.
- If the castors are detached, it is important to mount them again correctly (see “Assembling the Castors” above). Ensure that all 4 castors are adjusted to the same height.
- Keep fingers away from the armrest joints to avoid pinching during raising and lowering.
- Use the chair only on a flat, even surface.
- Insert or remove the bed pan/bucket when the chair is not in use.
- Do not store the chair in direct sunlight as the black surface may become hot and uncomfortable for the user.
- To avoid injury, do not insert fingers or toes into the drainage holes in the backrest or footrests.



## Disposal:

The plastic parts should be sorted as incinerated and stainless steel parts as metal.

## Technical Specifications

Height:	37-46" (950-1180 mm)
Length excl. footrests:	34.25" (870 mm)
Length incl. footrests:	43" (1090 mm)
Seat height:	20.5-24.5" (525-620 mm)
Width:	21" (535 mm)
Width between armrests:	17" (430 mm)
Length of armrests	19" (480 mm)
Width of armrests:	2" (50 mm)
Backrest:	16 x 12" (410 x 310 mm)
Seat width:	20" (510 mm)
Seat depth	17" (435 mm)
Seat hole width:	8.25" (210 mm)
Seat hole depth	12" (310 mm)
Castors	5" (125 mm, incl. brakes)
Max. weight load:	330 lb. (150 kg)
Total weight:	25 kg / 55 lbs
Actuator:	Linak LA 28 with integrated printcard and 24V battery
Protection class (powered tilt version):	IP 66, tested for use in wet environments

## Materials:

Frame:	Stainless steel
Surface coating frame:	Powder coating
Seat, Backrest, Armrests:	Polyurethane (PUR)
Snaplock Clips:	Chrome pin/Polypropylene

## List of configurations and accessories

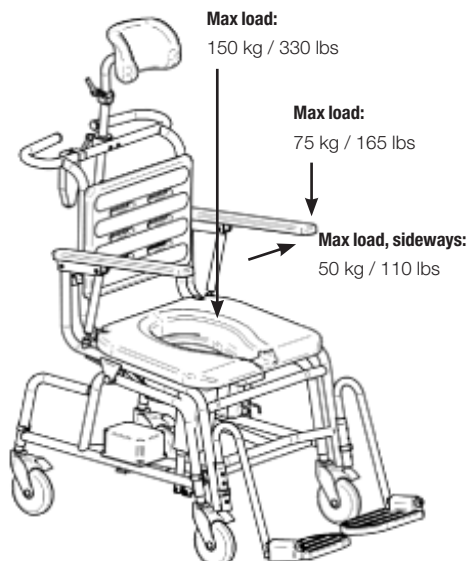
201942314 Combi powered tilt

### To always be ordered with:

200810004	Footrests	1 pair. For all Combi chair models and versions. Recommended for use with all models and versions of Combi chairs.
200360004	Headrest	For all Combi chair models and versions. Recommended for use with both versions of Combi tilt.
200384004	Heel and calf strap	For all Combi chair models and versions. Recommended for use with both versions of Combi tilt.
200382004	Hip belt	For all Combi chair models and versions.

### Additional Accessories:

201131314	Soft backrest	For Combi tilt, manual and Combi tilt, powered.
201040314	Front cross bar	For all Combi chair models and versions with standard width. Recommended for use with the Armrest lock accessory.
201030310	Arm rest lock	1 pair. For all Combi chair models and versions. Recommended for use with both versions of Combi tilt.
201070314	Lateral trunk support, right	For all Combi chair models and versions.
201072314	Lateral trunk support, left	For all Combi chair models and versions.
201060004	Amputee support	For all Combi chair models and versions.
201061004	Leg support	For Amputee support and all Combi chair models and versions.
853100604	Transport seat cover	For all Combi chair models and versions.
853100034	Bucket with lid	Keyhole shape, white plastic. For all Combi chair models and versions.
853100033	Bucket with lid	Round, grey plastic. For all Combi chair models and versions.







***Handicare offers solutions and support to increase the independence of disabled or elderly people as well as to improve the convenience of those who are caring for them.***

The Handicare Group is one of the leading healthcare companies in Europe with own manufacturing organizations and sales companies in Norway, Sweden, Denmark, Germany, the Netherlands, Great Britain, France, China, Canada and the USA. Handicare's products are also distributed by partners in more than 40 countries worldwide. Our wide range of high-quality products includes various power and manual wheelchairs, scooters, seating systems, a complete easy transfer system and other patient handling aids, stairlifts, car adaptations, rise- and recline chairs, and bathing and toilet-ing products.

Contact your local distributor if you have any questions about the product and its use. See [www.handicare.com](http://www.handicare.com) for a complete list of distributors. Always make sure that you have the right version of the manual. The most recent editions of manuals are available for downloading from our website, [www.handicare.com](http://www.handicare.com)



Handicare AB  
Veddestav. 15, Box 640  
SE-175 27 Järfälla  
SWEDEN

Tel: +46 (0)8-557 62 200  
Fax: +46 (0)8-557 62 299  
E-mail: [info@handicare.se](mailto:info@handicare.se)

Internet: [www.handicare.com](http://www.handicare.com)