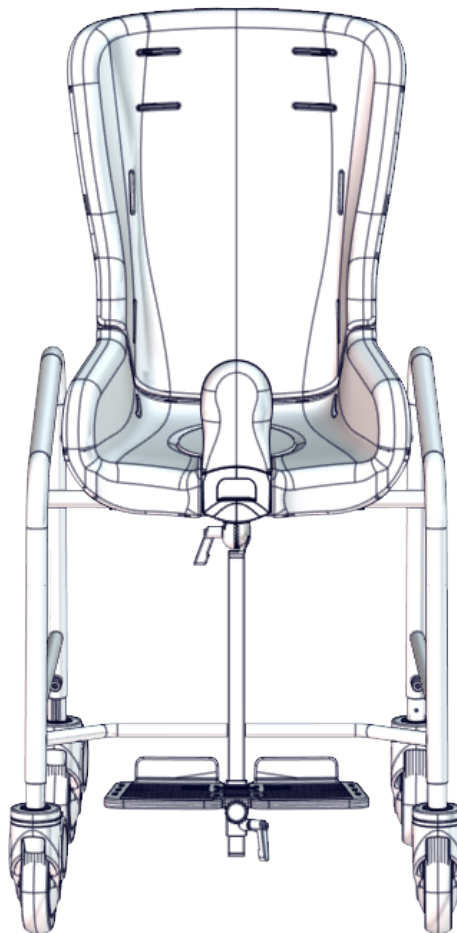


Swan Curo

Exploded views / Part lists

Rev. date (2023.01)

On the following pages you will find the parts used to assemble this product. Please note that some spare parts cannot be purchased individually but are part of a complete kit. Please also note that for some spare parts extra delivery time may occur.

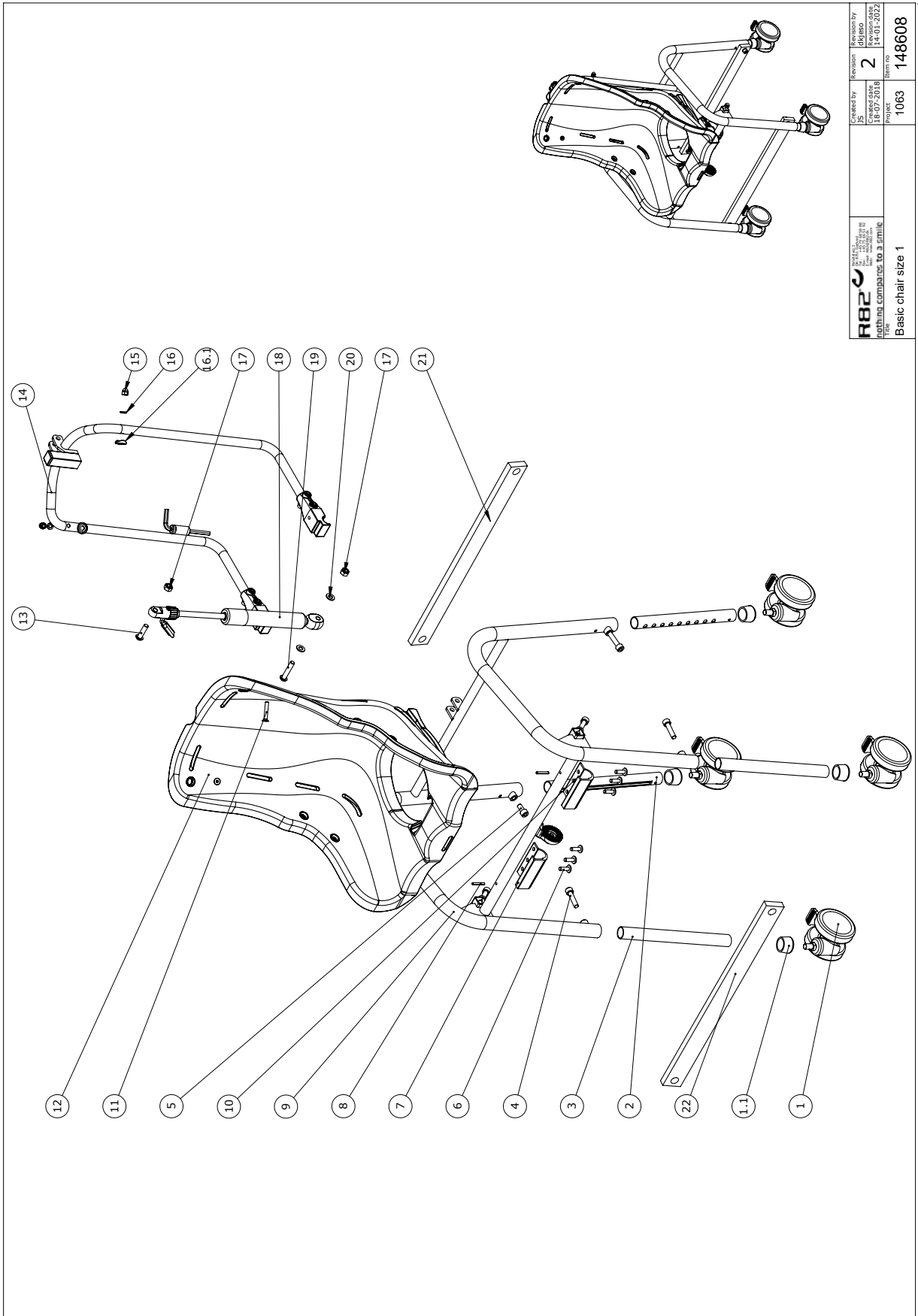


Contents

Swan Curo size 1 (87060, 87061)	4
Item numbers for Swan Curo size 1.....	5
Swan Curo size 2 (87062).....	6
Item numbers for Swan Curo size 2.....	7
Swan Curo size 3 (87063).....	8
Item numbers for Swan Curo size 3.....	9
Swan Curo size 4 (87064).....	10
Item numbers for Swan Curo size 4.....	11
Swan Curo size 1, 2, 3 & 4 accessories	12
Item numbers for Swan Curo size 1, 2, 3 & 4 accessories	13
Swing-away Armrest/Tray (870131-61)	15
Item numbers for Swing-away Armrest/Tray (870131-61)	16
Swing-away Armrest/Tray (870132-61).....	17
Item numbers for Swing-away Armrest/Tray (870132-61)	18
Swing-away Armrest/Tray (870133-61).....	19
Item numbers for Swing-away Armrest/Tray (870133-61)	20
Swing-away Armrest/Tray (870134-61).....	21
Item numbers for Swing-away Armrest/Tray (870134-61)	22
Castors, lockable 125 mm (880100-125).....	23
Item numbers for Castors, lockable 125 mm (880100-125)	23
Foot Plate, size 1 (87145-1).....	24
Item numbers for Foot Plate, size 1 (87145-1)	25
Foot Plate, size 2 (87145-2).....	26
Item numbers for Foot Plate, size 2 (87145-2)	27
Foot Plate, size 3 (87145-3).....	28
Item numbers for Foot Plate, size 3 (87145-3)	29
Gas Spring Assembly size 3, 300N (87051-300).....	30
Item numbers for Gas Spring Assembly size 3, 300N (87051-300)	30
Gas spring Assembly size 4, 400N (87052-400)	31
Item numbers for Gas Spring Assembly size 4, 400N (87052-400).....	31
Rod for Foot Support (87023, 87024 & 87025)	32
Item numbers for Rod for Foot Support (87023).....	32
Item numbers for Rod for Foot Support (87024)	32
Item numbers for Rod for Foot Support (87025).....	32

Table, size 1 (87038).....	33
Item numbers for Table, size 1 (87038).....	34
Table, size 2 (87039).....	35
Item numbers for Table, size 2 (87039).....	36
Table, size 3 (87040).....	37
Item numbers for Table, size 3 (87040).....	38
Table, size 4 (87041).....	39
Item numbers for Table, size 4 (87041).....	40
Push brace, One Size (880110).....	41
Item numbers for Push brace, One Size (880110).....	41

Swan Curo size 1 (87060, 87061)



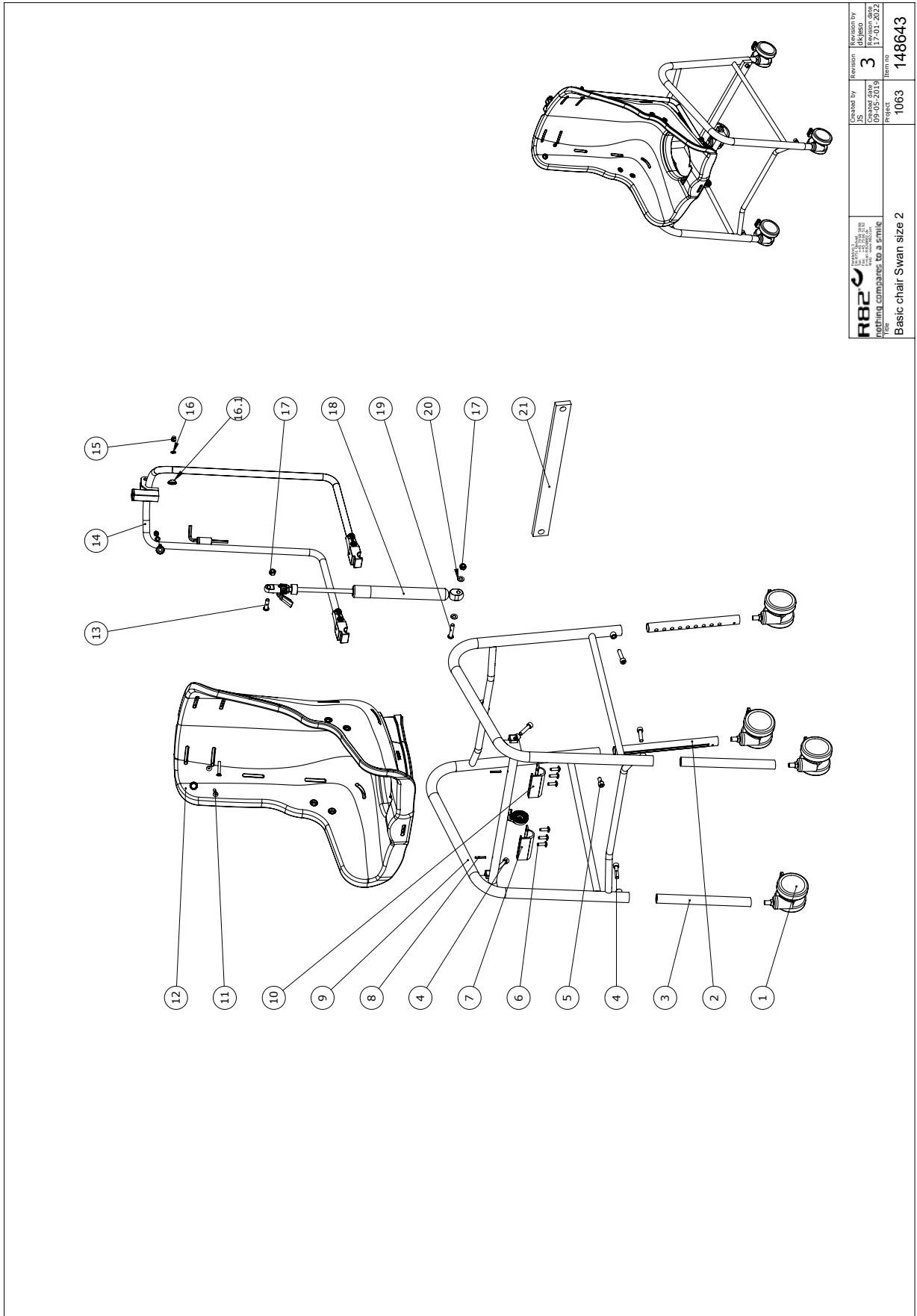
R82 R82 A/S Parallelvej 3 8751 Gedved Denmark	Created by JS 18-07-2018	Revision 2 14-01-2022	Revision By JLS 14-01-2022
	Nothing compares to a smile for	Project 1063	Item no. 148608

C:\pdp\pdp\87060\87060.dwg 14/11/2018

Item numbers for Swan Curo size 1

Position	No.	Description	Quantity	Unit of Measure	Ean code
1	3006830	75mm white steinco wheel	4	PCS	5707292368560
1.1	2501000	Knobs white for 22mm. External	4	PCS	5707292143884
2	162980	Adjustable leg Swan	1	PCS	5707292946744
3	162685	Leg for Swan	3	PCS	5707292946737
4	0609835	Stainless insex screw 8x35	5	PCS	5707292138606
5	0609816	Stainless insex screw 8x16	1	PCS	5707292138569
6	0610660	screw ø6x20 DELTA PT A2	6	PCS	5707292925664
7	148629	Clamp chair mount sz 1-2 right	1	PCS	5707292922885
8	0589000	Stainl. Tightening spring 4x26	2	PCS	5707292137784
9	147172	Swan Frame Size 1	1	PCS	5707292920607
10	146368	Clamp chair mount sz 1-2 left	1	PCS	5707292922878
11	0609735	Stainless insex screw M6 x35mm	2	PCS	5707292138521
12	140823	Size 1 shell assembly	1	PCS	5707292916860
13	0663000	Button head screw 8x30 stainl.	1	PCS	5707292139597
14	150302	Support Brace assembly size 1	1	PCS	5707292921437
15	1781060	Top nut M6 stainless	2	PCS	5707292566027
16	1100490	Spring washer M6 stainless	2	PCS	5707292411297
16.1	71110	White washer plastic, Flamingo	2	PCS	5707292104175
17	1631080	Stainless lock nut M8	2	PCS	5707292141453
18	141182	Gas spring assembly size 1	1	PCS	5707292917935
19	0663041	Button head M8x40, rf	1	PCS	5707292575388
20	1105080	Stainless washer 8mm	2	PCS	5707292140364
21	153170	Transport bracket sz 1 rear	1	PCS	5707292930002
22	153172	Transport bracket sz 1 front	1	PCS	5707292930019

Swan Curo size 2 (87062)



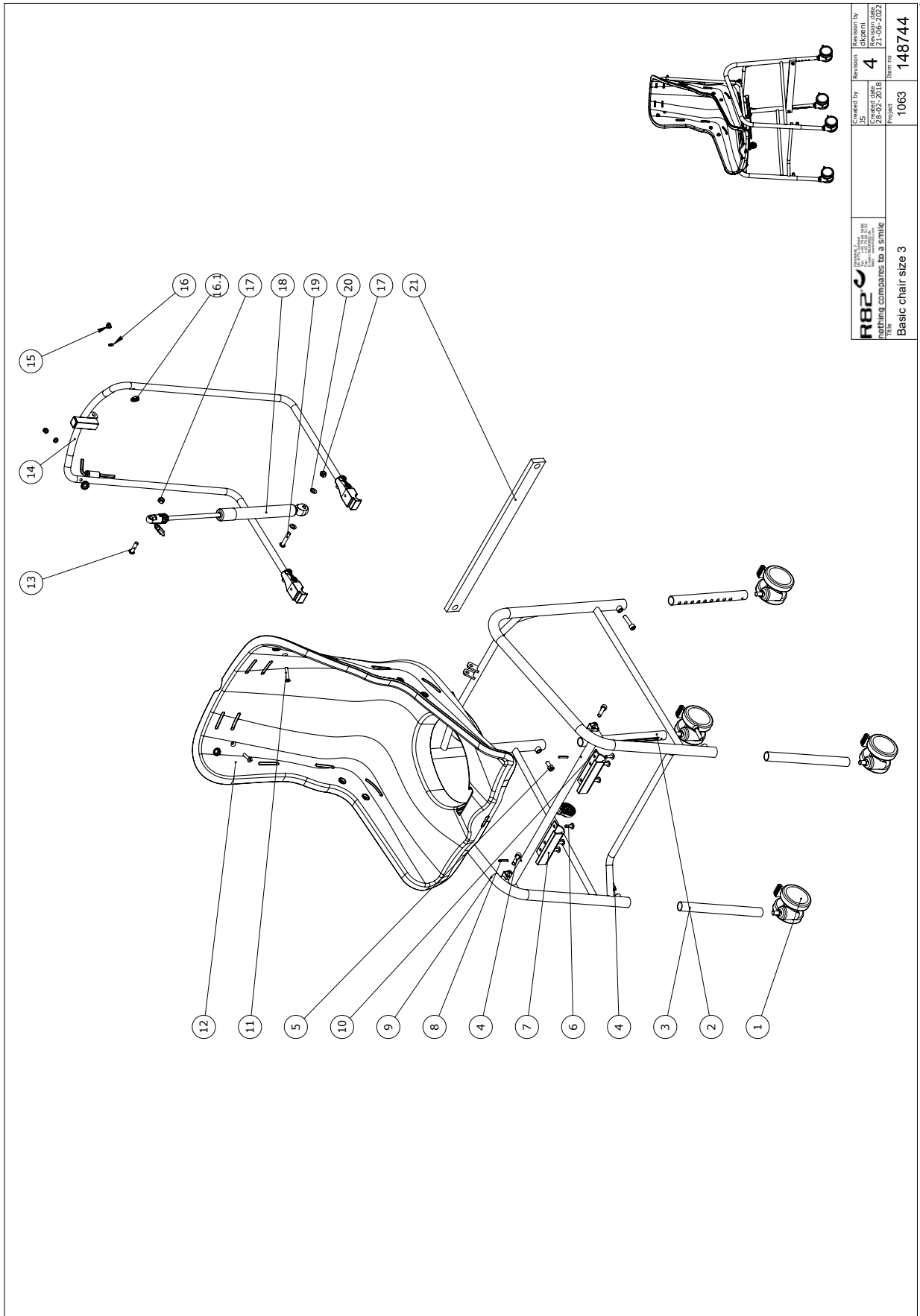
 R82 A/S Parallelvej 3 8751 Gedved Denmark Nothing compares to a smile	Created by 35	Revisions 3	Revisions by dk/MSD
	Created date 09-05-2019	Revision date 17-01-2022	Part no. 1063
Part name Basic chair Swan size 2			Part no. 148643

C:\DPM\Projects\005\87062\87062.dwg size: 2148643

Item numbers for Swan Curo size 2

Position	No.	Description	Quantity	Unit of Measure	Ean code
1	3006830	75mm white steinco wheel with brake	4	PCS	5707292368560
2	162980	Adjustable leg Swan	1	PCS	5707292946744
3	162685	Leg for Swan	3	PCS	5707292946737
4	0609835	Stainless insex screw 8x35	5	PCS	5707292138606
5	0609816	Stainless insex screw 8x16	1	PCS	5707292138569
6	0610660	screw ø6x20 DELTA PT A2	6	PCS	5707292925664
7	148629	Clamp chair mount sz 1-2 right	1	PCS	5707292922885
8	0589000	Stainl. Tightening spring 4x26	2	PCS	5707292137784
9	147341	Swan Frame size 2	1	PCS	5707292917928
10	146368	Clamp chair mount sz 1-2 left	1	PCS	5707292922878
11	0609735	Stainless insex screw M6 x35mm	2	PCS	5707292138521
12	138125	Size 2 shell assembly	1	PCS	5707292916891
13	0663000	Button head screw 8x30 stainl.	1	PCS	5707292139597
14	150358	Support Brace assembly size 2	1	PCS	5707292917867
15	1781060	Top nut M6 stainless	2	PCS	5707292566027
16	1100490	Spring washer M6 stainless	2	PCS	5707292411297
16.1	71110	White washer plastic, Flamingo	2	PCS	5707292104175
17	1631080	Stainless lock nut M8	2	PCS	5707292141453
18	150934	Gas spring assembly size 2	1	PCS	5707292917942
19	0663041	Button head M8x40, rf	1	PCS	5707292575388
20	1105080	Stainless washer 8mm	2	PCS	5707292140364
21	153192	Transport bracket sz 2	1	PCS	5707292930026

Swan Curo size 3 (87063)



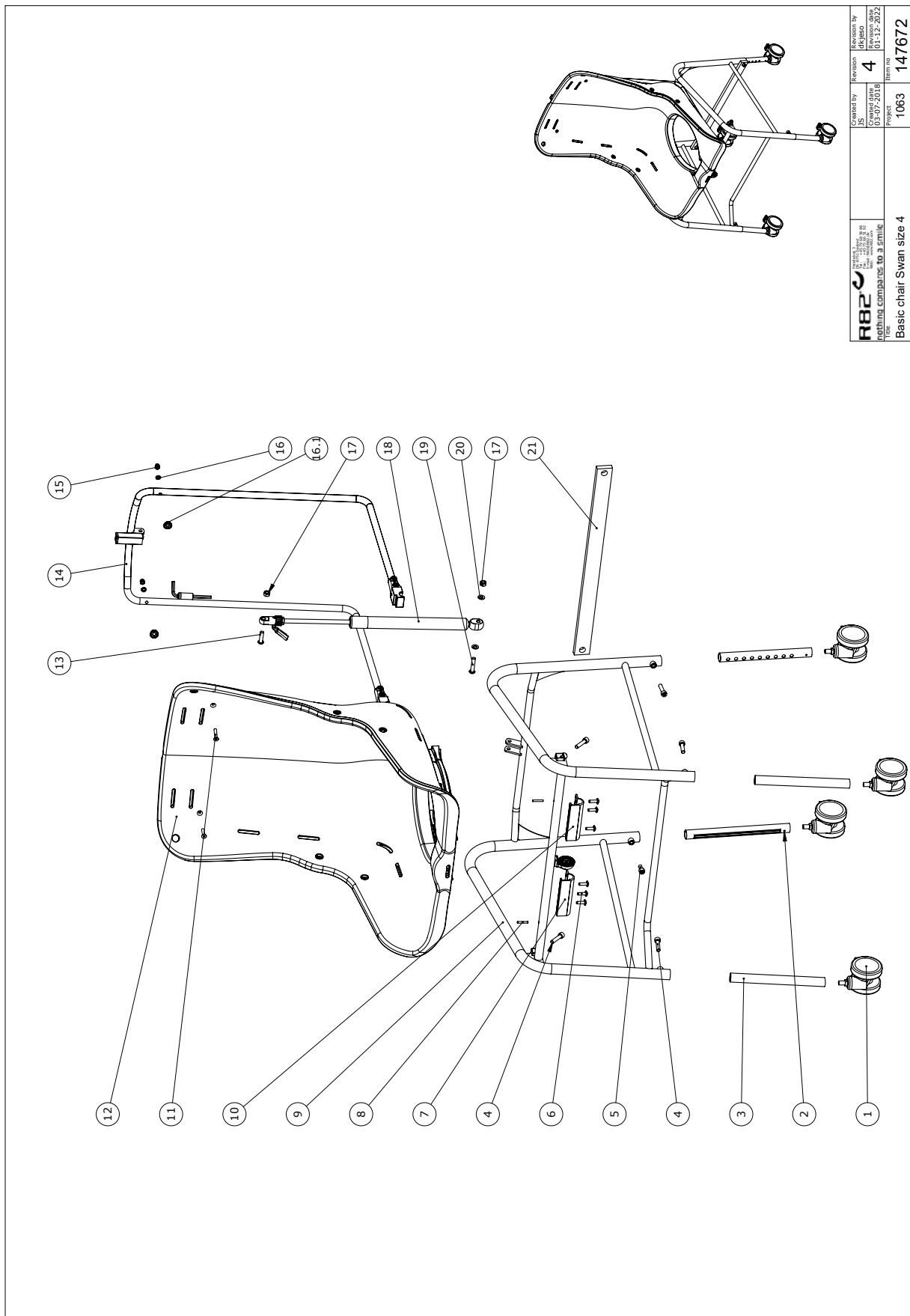
 R82 A/S Parallelvej 3 8751 Gedved Denmark	Created by JS	Revisions by dipani
	Checked date 21.08.2016	Revision nr. 4
Drawing compare to a similar product	Part no. 1063	Item no. 148744
Basic chair size 3		

C:\PDM\Proje\87063\87063.dwg 31.08.2016

Item numbers for Swan Curo size 3

Position	No.	Description	Quantity	Unit of Measure	Ean code
1	3006830	75mm white steinco wheel	4	PCS	5707292368560
2	162980	Adjustable leg Swan	1	PCS	5707292946744
3	162685	Leg for Swan	3	PCS	5707292946737
4	0609835	Stainless insex screw 8x35	5	PCS	5707292138606
5	0609816	Stainless insex screw 8x16	1	PCS	5707292138569
6	0610660	screw ø6x20 DELTA PT A2	6	PCS	5707292925664
7	148088	Clamp for chair mount sz 3+4 L	1	PCS	5707292916075
8	0589000	Stainl. Tightening spring 4x26	2	PCS	5707292137784
9	147023	Swan Frame size 3	1	PCS	5707292917881
10	148179	Clamp for chair mount sz 4+3 R	1	PCS	5707292916082
11	0609735	Stainless insex screw M6 x35mm	2	PCS	5707292138521
12	140334	Size 3 shell assembly	1	PCS	5707292916921
13	0663000	Button head screw 8x30 stainl.	1	PCS	5707292139597
14	150332	Support Brace assembly size 3	1	PCS	5707292917836
15	1781060	Top nut M6 stainless	2	PCS	5707292566027
16	1100490	Spring washer M6 stainless	2	PCS	5707292411297
16.1	71110	White washer plastic, Flamingo	2	PCS	5707292104175
17	1631080	Stainless lock nut M8	2	PCS	5707292141453
18	141195	Gas spring assembly size 3	1	PCS	5707292917409
19	0663041	Button head M8x40, rf	1	PCS	5707292575388
20	1105080	Stainless washer 8mm	2	PCS	5707292140364
21	153198	Transport bracket sz 3	1	PCS	5707292930033

Swan Curo size 4 (87064)



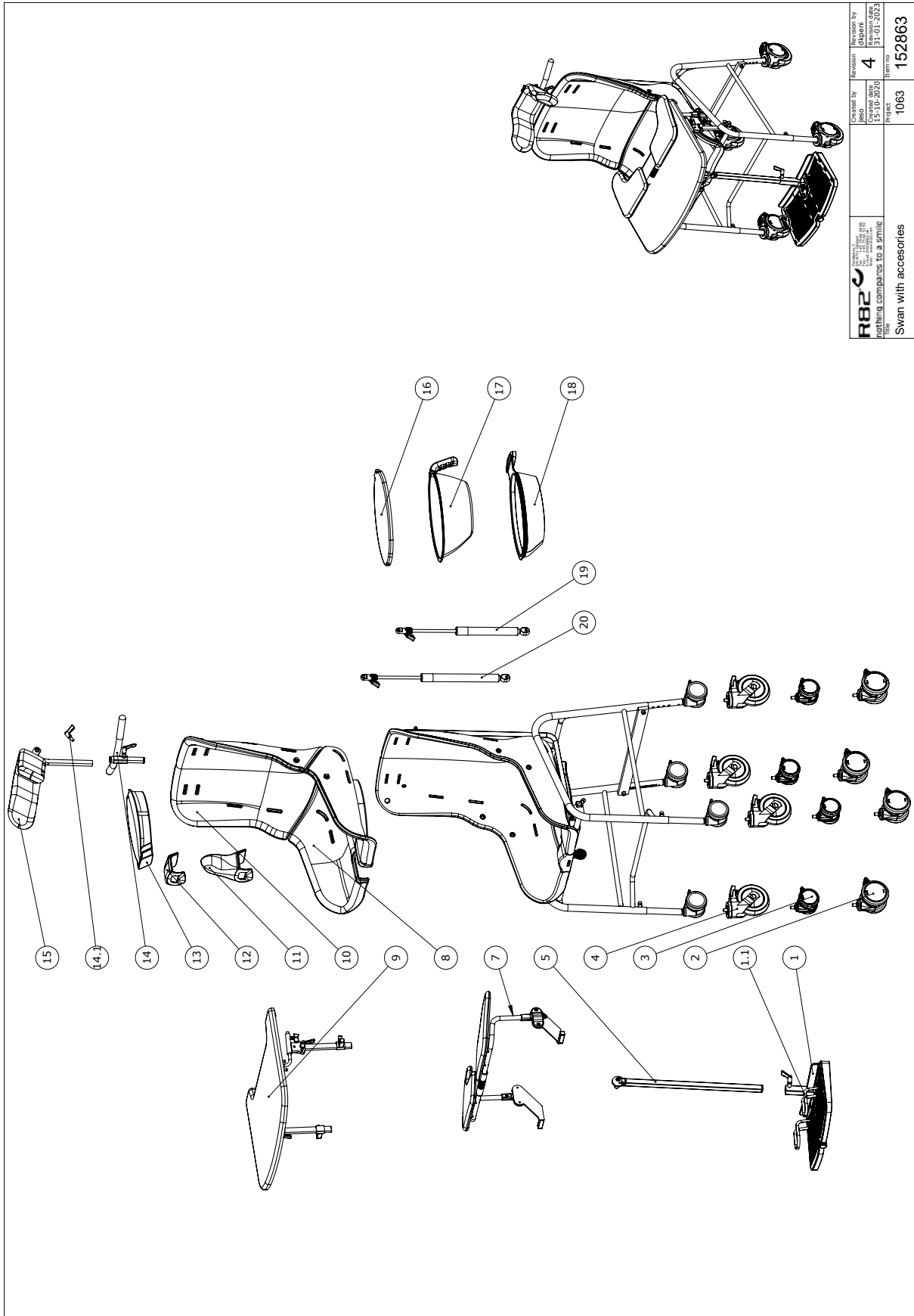
R82 <small>nothing compares to a smile</small> Title: Basic chair Swan size 4	Created by: JYBA Created date: 03-07-2018 Project: 1063	Revision: 4 Revision date: 01-12-2022	Item no: 147672
	Copyright © 2018 R82 A/S. All rights reserved. No part of this document may be reproduced without written permission from R82 A/S.		

C:\BMP\Project\008\87064 new size 4\147672

Item numbers for Swan Curo size 4

Position	No.	Description	Quantity	Unit of Measure	Ean code
1	3006830	75mm white steinco wheel with brake	4	PCS	5707292368560
2	162980	Adjustable leg Swan	1	PCS	5707292946744
3	162685	Leg for Swan	3	PCS	5707292946737
4	0609835	Stainless insex screw 8x35	5	PCS	5707292138606
5	0609816	Stainless insex screw 8x16	1	PCS	5707292138569
6	0610660	screw ø6x20 DELTA PT A2	6	PCS	5707292925664
7	148088	Clamp for chair mount sz 3+4 L	1	PCS	5707292916075
8	0589000	Stainl. Tightening spring 4x26	2	PCS	5707292137784
9	146844	Swan frame size 4	1	PCS	5707292915900
10	148179	Clamp for chair mount sz 4+3 R	1	PCS	5707292916082
11	0609735	Insex 6x35 uh, stainless	2	PCS	5707292138521
12	139268	Size 4 shell assembly	1	PCS	5707292915917
13	0663000	Button head screw 8x30 stainl.	1	PCS	5707292139597
14	150315	Support Brace assembly size 4	1	PCS	5707292915931
15	1781060	Top nut M6 stainless	2	PCS	5707292566027
16	1100490	Spring washer M6 stainless	2	PCS	5707292411297
16.1	71110	White washer plastic, Flamingo	2	PCS	5707292104175
17	1631080	Stainless lock nut M8	2	PCS	5707292141453
18	165738	Gas spring assembly size 4	1	PCS	5707292965172
19	0663041	Button head M8x40, rf	1	PCS	5707292575388
20	1105080	Stainless washer 8mm	2	PCS	5707292140364
21	153201	Transport bracket sz 4	1	PCS	5707292930040

Swan Curo size 1, 2, 3 & 4 accessories



R82 R82 A/S Parallelvej 3 8751 Gedved Denmark Tel: +45 79 68 58 88 Fax: +45 75 66 51 92 E-mail: R82@etac.com Web: etac.com	Contact by jeso	Revision 4	Revision by djpenni
	Project 1063	Item no. 152863	Date 21.02.20

R82 A/S
 Parallelvej 3
 8751 Gedved
 Denmark
 Tel: +45 79 68 58 88
 Fax: +45 75 66 51 92
 E-mail: R82@etac.com
 Web: etac.com
 SWAN WITH ACCESSORIES TO A PRINT

© 2020 Project 1063 / Revision 4 / 152863

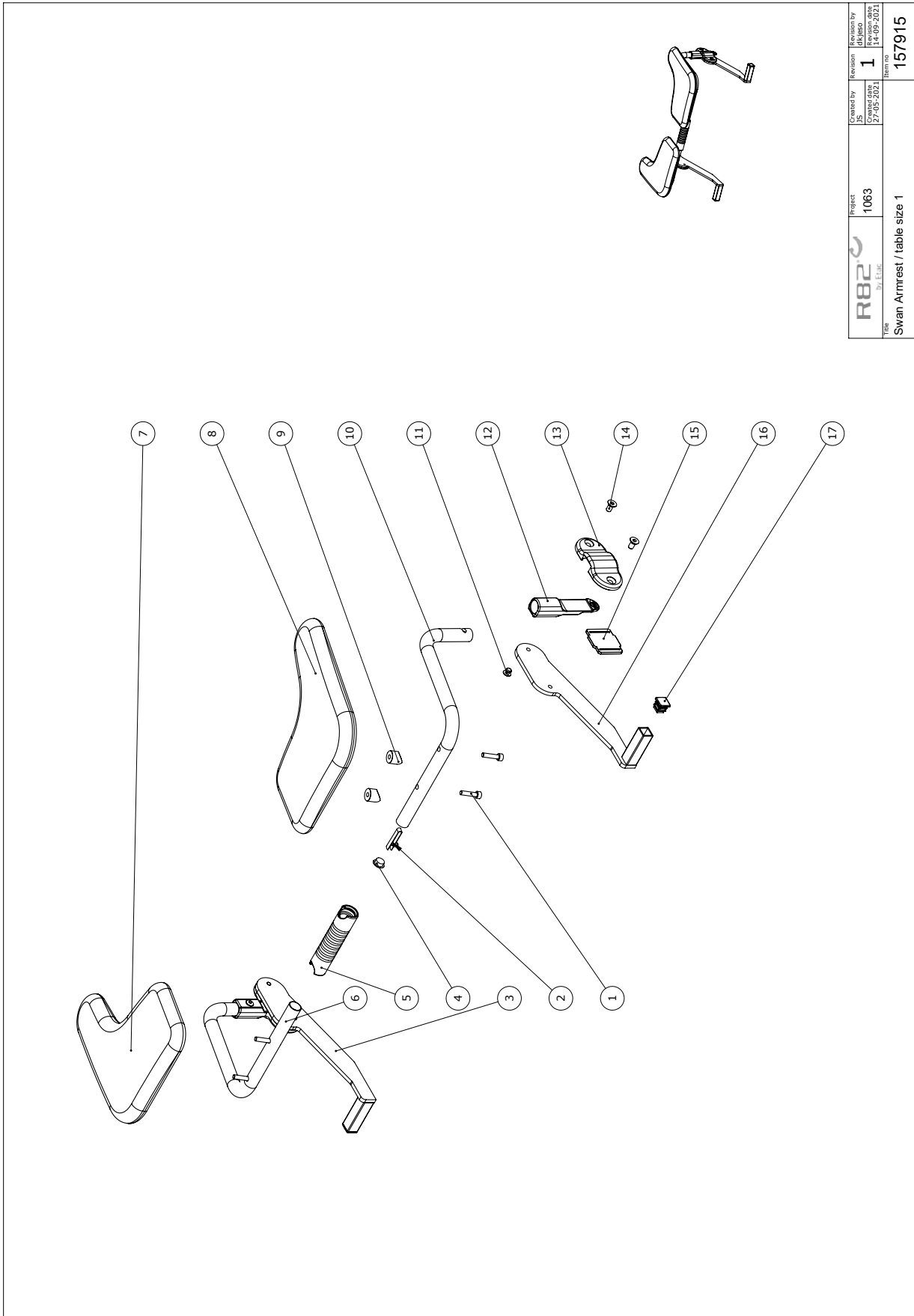
Item numbers for Swan Curo size 1, 2, 3 & 4 accessories

Position	No.	Description	Quantity	Unit of Measure	Ean code
1*	87145-1	Foot plate 31 × 19 cm, size 1. See exploded parts "Foot Plate, size 1 (87145-1)" on page 24	1	PCS	5707292614643
	87145-2	Foot plate 36 × 23 cm, size 2. See exploded parts "Foot Plate, size 2 (87145-2)" on page 26	1	PCS	5707292614650
	87145-3	Foot plate 41 × 24 cm, size 3. See exploded parts "Foot Plate, size 3 (87145-3)" on page 28	1	PCS	5707292614667
1.1*	85096	Foot straps, black set. With fix lock	1	SET	5707292126979
	85102	Foot straps, black set. With velcro	1	SET	5707292127037
2	3006955	100mm double wheel, white	4	PCS	5707292601872
3	3006830	75mm white steinco wheel	4	PCS	5707292368560
4	880100-125	Castors, 125 mm, lockable, set of 4 pcs. See exploded parts "Castors, lockable 125 mm (880100-125)" on page 23	1	SET	5707292807182
5*	87023	Rod for foot support, ankle adjustable 25 cm See exploded parts "Rod for Foot Support (87023, 87024 & 87025)" on page 32	1	PCS	5707292909077
	87024	Rod for foot support, ankle adjustable 35 cm See exploded parts "Rod for Foot Support (87023, 87024 & 87025)" on page 32	1	PCS	5707292909084
	87025	Rod for foot support, ankle adjustable 50 cm See exploded parts "Rod for Foot Support (87023, 87024 & 87025)" on page 32	1	PCS	5707292909107
7*	870131-61	Arm rests/tray with blue PU pads, size 1. See exploded parts "Swing-away Armrest/Tray (870131-61)" on page 15	1	PCS	5707292912909
	870132-61	Arm rests/tray with blue PU pads, size 2. See exploded parts "Swing-away Armrest/Tray (870132-61)" on page 17	1	PCS	5707292912916
	870133-61	Arm rests/tray with blue PU pads, size 3. See exploded parts "Swing-away Armrest/Tray (870133-61)" on page 19	1	PCS	5707292912930
	870134-61	Arm rests/tray with blue PU pads, size 4. See exploded parts "Swing-away Armrest/Tray (870134-61)" on page 21	1	PCS	5707292912923
8*	140322	PUR inlay seat size 1	1	PCS	5707292917614
	146227	PUR inlay seat size 2	1	PCS	5707292917706
	140316	PUR inlay seat size 3	1	PCS	5707292917775
	140311	PUR inlay seat size 4	1	PCS	5707292916457
9*	87038	Swan Curo size 1 table size 1, white ABS See exploded parts "Table, size 1 (87038)" on page 33	1	PCS	5707292913456
	87039	Swan Curo size 2 table size 2, white ABS See exploded parts "Table, size 2 (87039)" on page 35	1	PCS	5707292913463
	87040	Swan Curo size 3 table size 3, white ABS See exploded parts "Table, size 3 (87040)" on page 37	1	PCS	5707292913470
	87041	Swan Curo size 4 table size 4, white ABS See exploded parts "Table, size 4 (87041)" on page 39	1	PCS	5707292913487
10*	140320	PUR inlay back size 1	1	PCS	5707292917607
	146226	PUR inlay back size 2	1	PCS	5707292917713
	140315	PUR inlay back size 3	1	PCS	5707292917782
	140310	PUR inlay back size 4	1	PCS	5707292916440

*Choose size/color/type

Position	No.	Description	Quantity	Unit of Measure	Ean code
11	103740-61	Splashguard	1	PCS	5707292916471
12	142328	Swan splash guard low cushion	1	PCS	5707292916464
13*	141632	Seat infill size 1	1	PCS	5707292917621
	142020	Seat infill size 2	1	PCS	5707292917720
	142085	Seat infill size 3	1	PCS	5707292917799
	142122	Seat infill, blue size 4	1	PCS	5707292902306
14	880110	Push handle See exploded parts "Push brace, One Size (880110)" on page 41	1	PCS	5707292134219
14.1	87042	Daily adjustment kit, for head support	1	PCS	5707292927637
15	9906446-00	Headsupport size 4, without cover	1	PCS	5707292629982
16*	880128-L	Lid for commode pan 880128	1	PCS	5707292835437
	880129-L	Lid for commode pan 880129	1	PCS	5707292835505
	880130-L	Lid for commode pan 880130	1	PCS	5707292835512
17*	112401	Pot, size 1	1	PCS	5707292604439
	880129	Comode pan, Flamingo size 3+4	1	PCS	5707292134318
	880130	Swan pan size 6+7	1	PCS	5707292396372
18*	112369	Potty Ring, size 1-2	1	PCS	5707292604361
	112372	Potty Ring, size 3	1	PCS	5707292604385
	109072	Potty Ring, size 4	1	PCS	5707292575692
19	87051-300	Gas spring assembly sz. 3 300N. See exploded parts "Gas Spring Assembly size 3, 300N (87051-300)" on page 30	1	PCS	5707292965264
20	87052-400	Gas spring assembly sz. 4 400N. See exploded parts "Gas spring Assembly size 4, 400N (87052-400)" on page 31	1	PCS	5707292965271
*Choose size/color/type					

Swing-away Armrest/Tray (870131-61)



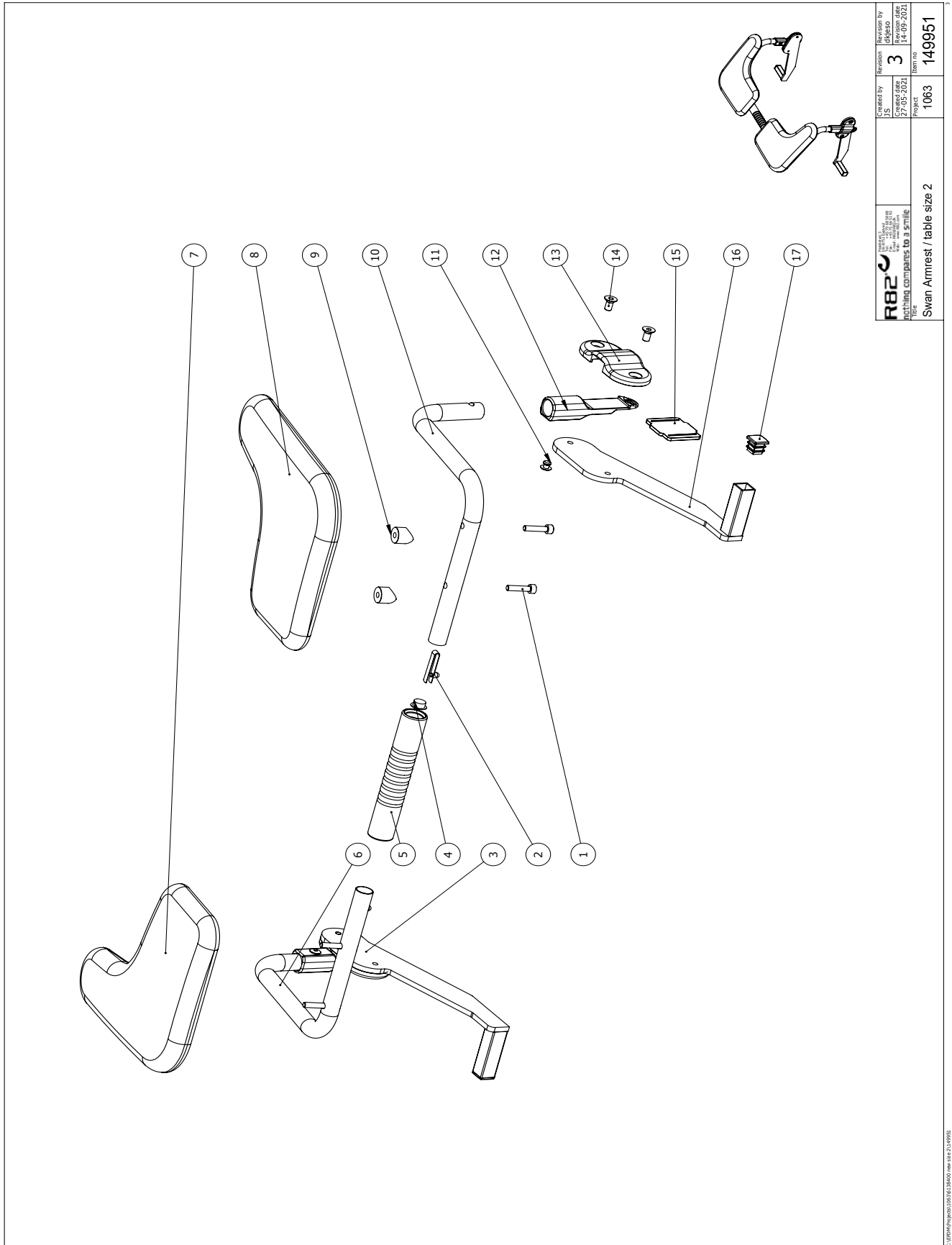
	Project	1063	Created by	JIS	Revision	1	Revision by	DK/ieso
	Item	Swan Armrest / table size 1	27/05-2021	27/05-2021	14-09-2021			
	Item no	157915						

C:\BPM\Project\1063\157915\rev 1\157915

Item numbers for Swing-away Armrest/Tray (870131-61)

Position	No.	Description	Quantity	Unit of Measure	Ean code
1	0603522	Insex ch M5x22 stainless	4	PCS	5707292490988
2	6153700	Knob spring f.activity centre	2	PCS	5707292188601
3	159080	Bracket for armr. right sz 1-2	1	PCS	5707292934024
4	1310552	Hedge plug k 5 natural	2	PCS	5707292581747
5	149958	table lock size 1	1	PCS	5707292916884
6	159076	Stay tube size 1+2 right	1	PCS	5707292933973
7	6075359	Arm rest table small,right PUR	1	PCS	5707292613110
8	6075361	Arm rest table small, left PUR	1	PCS	5707292613103
9	104377	Saddle disc Ø15,5Ø5,3, h10,0	4	PCS	5707292568878
10	159082	Stay tube size 1+2 left	1	PCS	5707292933997
11	0506519	Stainless blind rivet 4x12	2	PCS	5707292137388
12	71130-90	Bushing, white	2	PCS	5707292223593
13	72134-90	Mounting for armrest, white	2	PCS	5707292223760
14	0609727	Stainless insex 6x12 uh	4	PCS	5707292138484
15	82408-90	Underlying plate armrest flam	2	PCS	5707292231482
16	159081	Bracket for armr. left sz. 1-2	1	PCS	5707292934017
17	2504005	Ferrule e15x15x1,0-2,int.black	2	PCS	5707292144119
*Choose size/color/type					

Swing-away Armrest/Tray (870132-61)



 R82 A/S Parallelvej 3 8751 Gedved Denmark	Created by	Revision	Revision by
	JS	3	dfjers
	27-05-2021		14-09-2021
	Project	1063	Team no.
Title			149951
Swan Armrest / table size 2			

Item numbers for Swing-away Armrest/Tray (870132-61)

Position	No.	Description	Quantity	Unit of Measure	Ean code
1	0603522	Insex ch M5x22 stainless	4	PCS	5707292490988
2	6153700	Knob spring f.activity centre	2	PCS	5707292188601
3	159080	Bracket for armr. right sz 1-2	1	PCS	5707292934024
4	1310552	Hedge plug k 5 natural	2	PCS	5707292581747
5	159096	table lock size 2	1	PCS	5707292934000
6	159076	Stay tube size 1+2 right	1	PCS	5707292933973
7	6075359	Arm rest table small,right PUR	1	PCS	5707292613110
8	6075361	Arm rest table small, left PUR	1	PCS	5707292613103
9	104377	Saddle disc Ø15,5Ø5,3, h10,0	4	PCS	5707292568878
10	159082	Stay tube size 1+2 left	1	PCS	5707292933997
11	0506519	Stainless blind rivet 4x12	2	PCS	5707292137388
12	71130-90	Bushing, white	2	PCS	5707292223593
13	72134-90	Mounting for armrest, white	2	PCS	5707292223760
14	0609727	Stainless insex 6x12 uh	4	PCS	5707292138484
15	82408-90	Underlying plate armrest flam	2	PCS	5707292231482
16	159081	Bracket for armr. left sz. 1-2	1	PCS	5707292934017
17	2504005	Ferrule e15x15x1,0-2,int.black	2	PCS	5707292144119

*Choose size/color/type

Swing-away Armrest/Tray (870133-61)

Pos no.	Qty.	Item no.	Description.
1	4	0603522	M5*22-CY-SS-A-A2
2	2	6153700	Spring
3	1	149986	Bracket for armrest right size 3
4	2	1310552	Cap
5	1	149947	table lock size 3
6	1	71366	Stay tube size 3 right
7	1	6075363	Armrest pad size 4 right
8	1	6075365	Armrest pad size 4 left
9	4	104377	Saddelskive
10	1	71367	Stay tube size 3 left
11	4	0506519	Revit
12	2	71130-90	Bush white
13	2	72134-90	Mounting for armrest
14	4	0609727	M6*12-CS-SS-A-A2
15	2	82408	Plate for armrest mounting
16	1	149988	Bracket for armrest left size 3
17	2	2504005	FRS15x15-WH

 nothing compares to a smile Title	Created by Checked date 17-02-2020	Revision 2	Revision by Checked date 03-06-2021
	Project 1063	Item no 149945	Title Armrest/table size 3

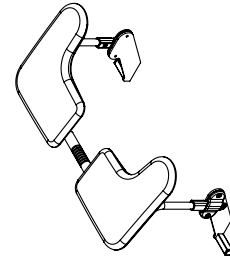
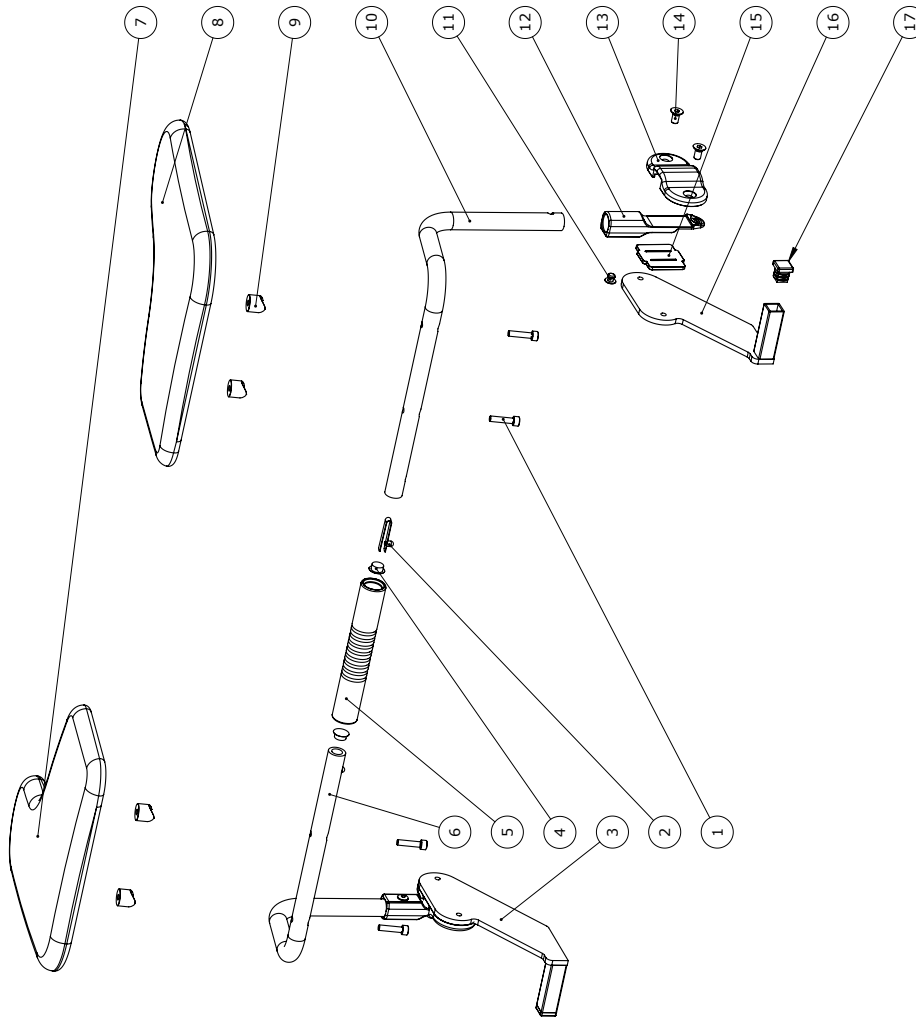
Item numbers for Swing-away Armrest/Tray (870133-61)

Position	No.	Description	Quantity	Unit of Measure	Ean code
1	0603522	Insex ch M5x22 stainless	4	PCS	5707292490988
2	6153700	Knob spring f.activity centre	2	PCS	5707292188601
3	149986	Bracket for armrerst righ sz 3	1	PCS	5707292916372
4	1310552	Hedge plug k 5 natural	2	PCS	5707292581747
5	149947	table lock size 3	1	PCS	5707292916945
6	71366	Supporting tube 3 right	1	PCS	5707292436764
7	6075363	Arm rest right, big - Hellblau	1	PCS	5707292613073
8	6075365	Arm rest left, big - Hell Blau	1	PCS	5707292613066
9	104377	Saddle disc Ø15,5Ø5,3, h10,0	4	PCS	5707292568878
10	71367	Supporting tube 3 left	1	PCS	5707292436771
11	0506519	Stainless blind rivet 4x12	2	PCS	5707292137388
12	71130-90	Bushing, white	2	PCS	5707292223593
13	72134-90	Mounting for armrest, white	2	PCS	5707292223760
14	0609727	Stainless insex 6x12 uh	4	PCS	5707292138484
15	82408-90	Underlying plate armrest flam	2	PCS	5707292231482
16	149988	Bracket for armrerst left sz 3	1	PCS	5707292916365
17	2504005	Ferrule e15x15x1,0-2,int.black	2	PCS	5707292144119

*Choose size/color/type

Swing-away Armrest/Tray (870134-61)

Pos no.	Qty.	Item no.	Description.
1	4	0603522	M5*22-CY-SS-A-A2
2	2	6153700	Spring
3	1	149980	Bracket for armrest right size 4
4	2	1310552	Cap
5	1	149940	table lock size 4
6	1	71368	Stay tube size 4 right
7	1	6075363	Armrest pad size 4 right
8	1	6075365	Armrest pad size 4 left
9	4	104377	Saddelskive
10	1	71369	Stay tube size 4 left
11	2	0506519	Rivt
12	2	71130-90	Bush white
13	2	72134-90	Mounting for armrest
14	4	0609727	M6*12-CS-SS-A-A2
15	2	82408	Plate for armrest mounting
16	1	149978	Bracket for armrest left size 4
17	2	2504005	FRS15x15-WH



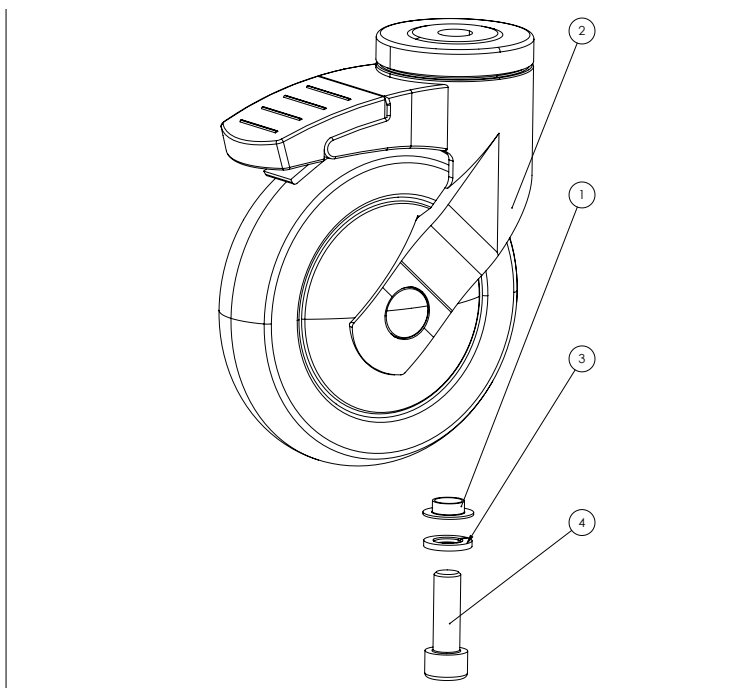
 R82 A/S Etac Group nothing compares to a smile	Created by JS	Revisions 2	Revisions by JS
	Created date 12-02-2020	Revisions 02-02-2021	Item no. 149935
Part name Armrest/table size 4		Part no. 1063	Item no. 149935

C:\004\p04\p04\870134-61\870134-61.dwg 4/14/2021

Item numbers for Swing-away Armrest/Tray (870134-61)

Position	No.	Description	Quantity	Unit of Measure	Ean code
1	0603522	Insex ch M5*22 stainless	4	PCS	5707292490988
2	6153700	Knob spring f.activity centre	2	PCS	5707292188601
3	149980	Bracket for armrest right sz 4	1	PCS	5707292916303
4	1310552	Hedge plug k 5 natural	2	PCS	5707292581747
5	149940	Table lock	1	PCS	5707292915801
6	71368	Support rod size 4, right	1	PCS	5707292436740
7	6075363	Arm rest right, big - Hellblau	1	PCS	5707292613073
8	6075365	Arm rest left, big - Hell Blau	1	PCS	5707292613066
9	104377	Saddle disc Ø15,5Ø5,3, h10,0	4	PCS	5707292568878
10	71369	Support rod size 4, left	1	PCS	5707292436757
11	0506519	Stainless blind rivet 4*12	2	PCS	5707292137388
12	71130-90	Bushing, white	2	PCS	5707292223593
13	72134-90	Mounting for armrest, white	2	PCS	5707292223760
14	0609727	Stainless insex 6x12 uh	4	PCS	5707292138484
15	82408-90	Underlying plate armrest flam	2	PCS	5707292231482
16	149978	Bracket for armrest left sz 4	1	PCS	5707292916297
17	2504005	Ferrule e15*15*1,0-2,int.black	2	PCS	5707292144119
*Choose size/color/type					

Castors, lockable 125 mm (880100-125)

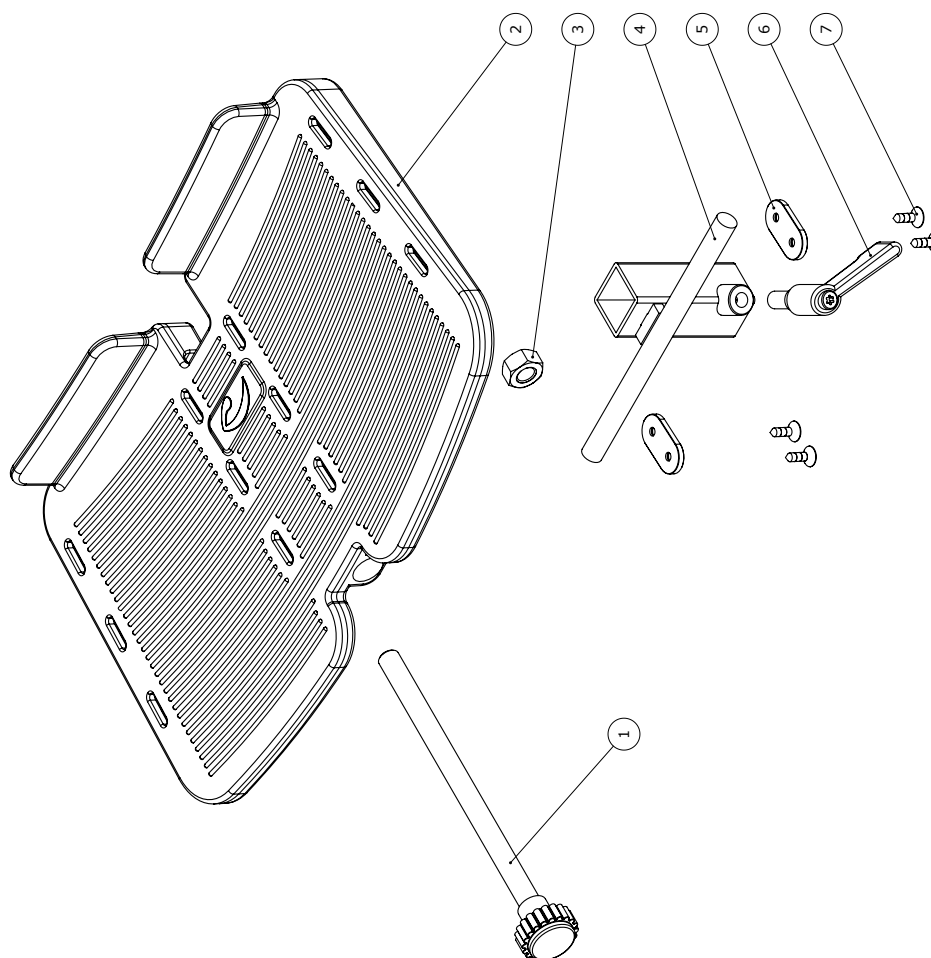


Item numbers for Castors, lockable 125 mm (880100-125)

Position	No.	Description	Quantity	Unit of Measure	Ean code
1	2985300	Reducing bushing	4	PCS	5707292145451
2	3041600	Wheel with brake 125mm	4	PCS	5707292561510
3	1100510	Spring washer 10mm stainless	4	PCS	5707292140159
4	0609930	Stainless insex screw 10x30		PCS	5707292634382
*choose size /color					

Foot Plate, size 1 (87145-1)

Pos no.	Qty.	Item no.	Description.
1	1	117282	Knob ø28 with M10 thread, size 1
2	1	117285	Footplate size 1
3	1	1604000	NUT10*8,4-FZB
4	1	117219	Carrier bracket. low
5	2	82950	Brick
6	1	3502700	Clamping levers M8-40x15 W SS
7	4	1940038	ST4*14-CS-SS-PH



 Nothing compares to a smile.	Created by Date 09-10-2015	Revision B	Revision by Date 11-02-2016
	Project Swan	Item no. 117297	

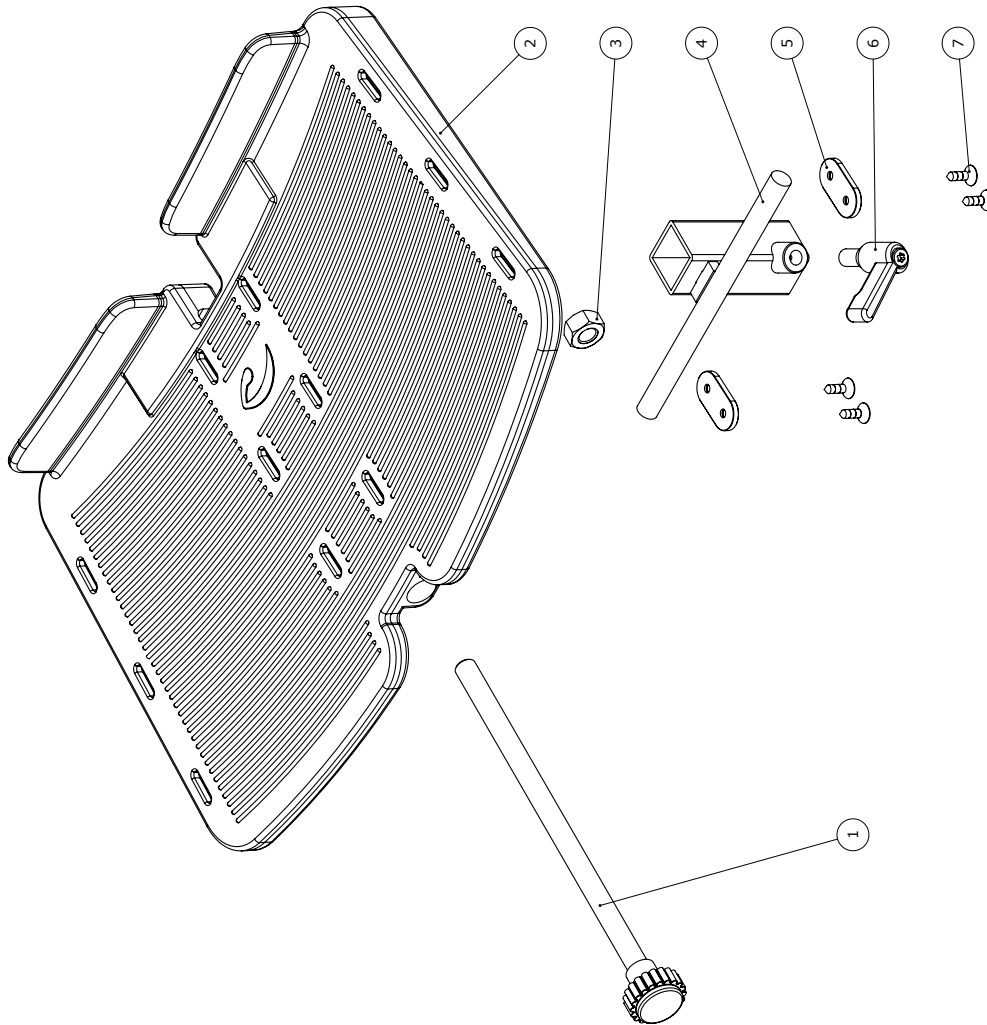
C:\Programme\Swan\87145-1\87145-1.dwg

Item numbers for Foot Plate, size 1 (87145-1)

Position	No.	Description	Quantity	Unit of Measure	Ean code
1	117282	Knob Ø28 with M10thread size 1	1	PCS	5707292618153
2	117285	Footplate size 1, Wombat, blac	1	PCS	5707292615497
3	1607008	Nut M 10, A2 m/el-zink	1	PCS	5707292619662
4	117219	Carrier bracket low	1	PCS	5707292613936
5	82950	Hollow plate 16*32, Wombat	2	PCS	5707292126030
6	3502700	Tightening handle 42/M8*15 whi	1	PCS	5707292146946
7	1940038	Eco-syn uh Ø4*14	4	PCS	5707292465597
*Choose size/color/type					

Foot Plate, size 2 (87145-2)

Pos no.	Qty.	Item no.	Description.
1	1	117283	Knob ø28 with M10 thread, size 2
2	1	117286	Footplate size 2
3	1	1604000	NUT10*8,4-FZB
4	1	117219	Carrier bracket, low
5	2	82950	Brick
6	1	3502700	Clamping levers M8-40x15 W SS
7	4	1940038	ST4*14-CS-SS-PH



 R82 A/S Parallelvej 3 8751 Gedved Denmark	Created by	Revision	Revision by
	09-10-2015	B	11-02-2016
Title		Project	Item no
Footrest size 2		Swan	117298

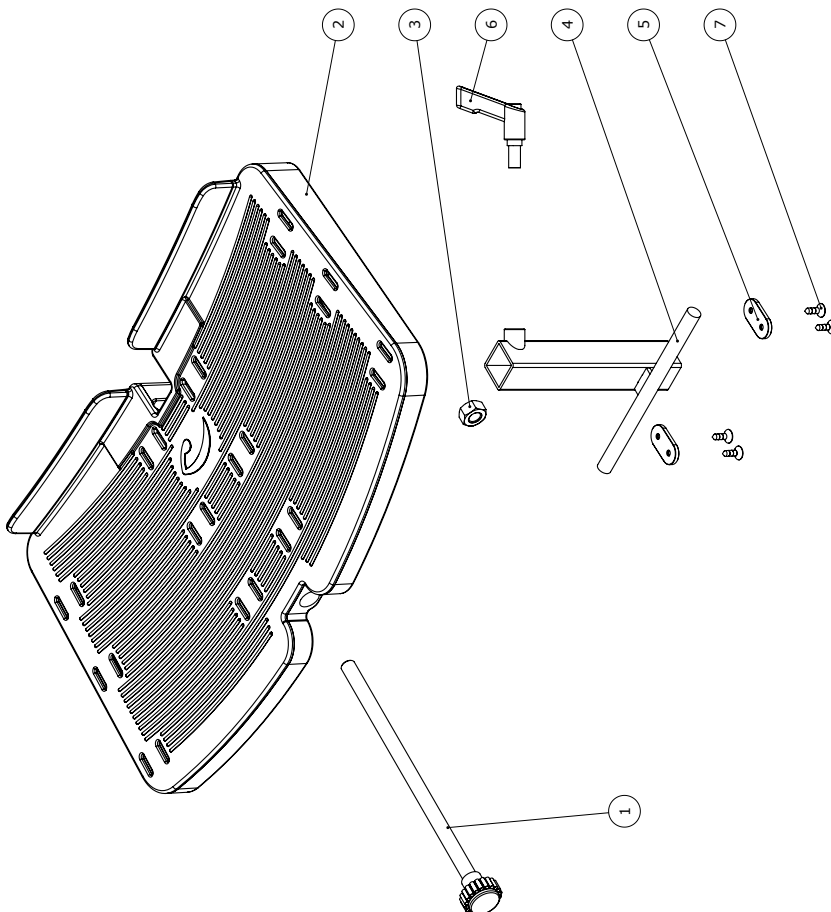
C:\EPDM\Swan\Footplate R82 2511317298

Item numbers for Foot Plate, size 2 (87145-2)

Position	No.	Description	Quantity	Unit of Measure	Ean code
1	117283	Knob Ø28 with M10thread size 1	1	PCS	5707292618160
2	117286	Footplate Size 2, Wombat, Whit	1	PCS	5707292615503
3	1607008	Nut M 10, A2 m/el-zink	1	PCS	5707292619662
4	117219	Carrier bracket low	1	PCS	5707292613936
5	82950	Hollow plate 16*32, Wombat	2	PCS	5707292126030
6	3502700	Tightening handle 42/M8*15 whi	1	PCS	5707292146946
7	1940038	Eco-syn uh Ø4*14	4	PCS	5707292465597
*Choose size/color/type					

Foot Plate, size 3 (87145-3)

Pos no.	Qty.	Item no.	Description.
1	1	117284	Knob ø28 with M10 thread, size 3 & 4
2	1	117287	Footplate size 3
3	1	1604000	NUT10*8,4-FZB
4	1	117230	Fix for footrest size 2 - 3
5	2	82950	Brick
6	1	3502700	Clamping levers M8-40x15 W SS
7	4	1940038	ST4*14-CS-SS-PH



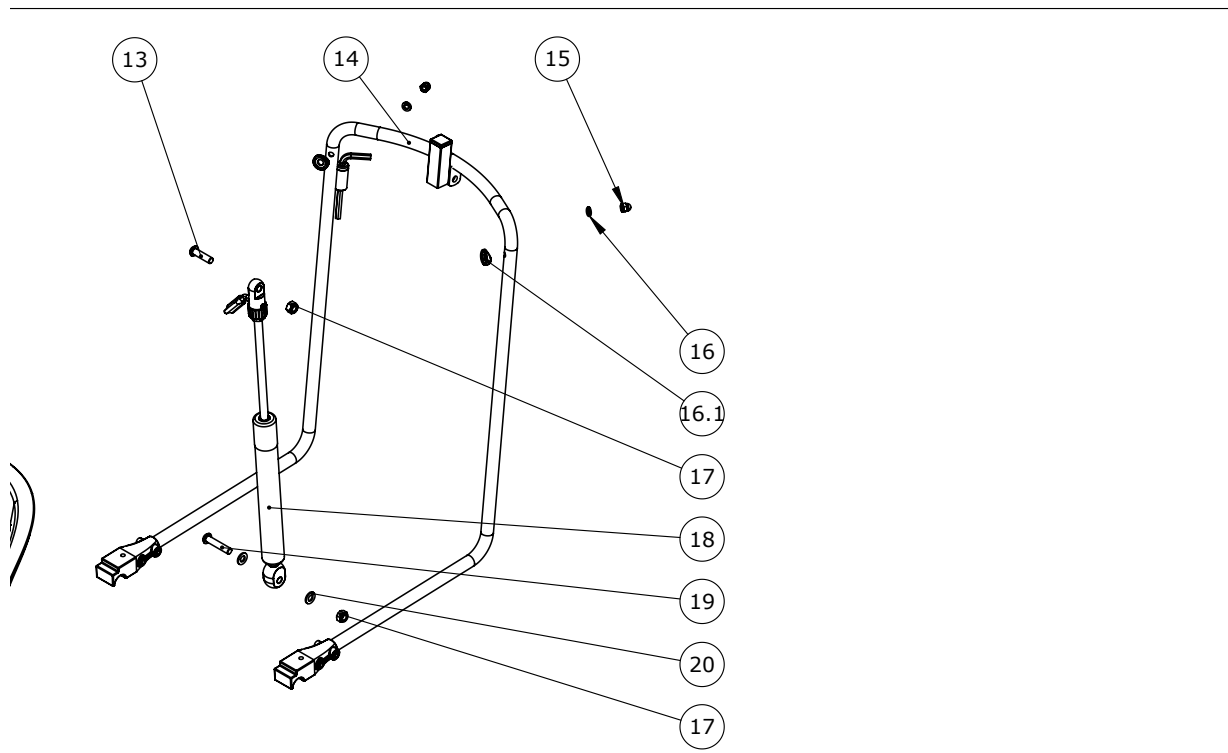
R82 Svanevej 3 8751 Gedved DK-8240 E-mail: r82@etac.com Web: etac.com	Created by 11/10/2015	Created date 11-02-2015	Revised by B	Revised date 11-02-2015
Footrest size 3	Swan	117299		

Item numbers for Foot Plate, size 3 (87145-3)

Position	No.	Description	Quantity	Unit of Measure	Ean code
1	117284	Knob ø28 with M10 thread, A2	1	PCS	5707292618177
2	117287	Footplate size 3, Wombat	1	PCS	5707292615527
3	1607008	Nut M 10, A2 m/el-zink	1	PCS	5707292619662
4	117230	Fix for footrest	1	PCS	5707292613929
5	82950	Hollow plate 16*32, Wombat	2	PCS	5707292126030
6	3502700	Tightening handle 42/M8*15 whi	1	PCS	5707292146946
7	1940038	Eco-syn uh Ø4*14	4	PCS	5707292465597

*Choose size/color/type

Gas Spring Assembly size 3, 300N (87051-300)

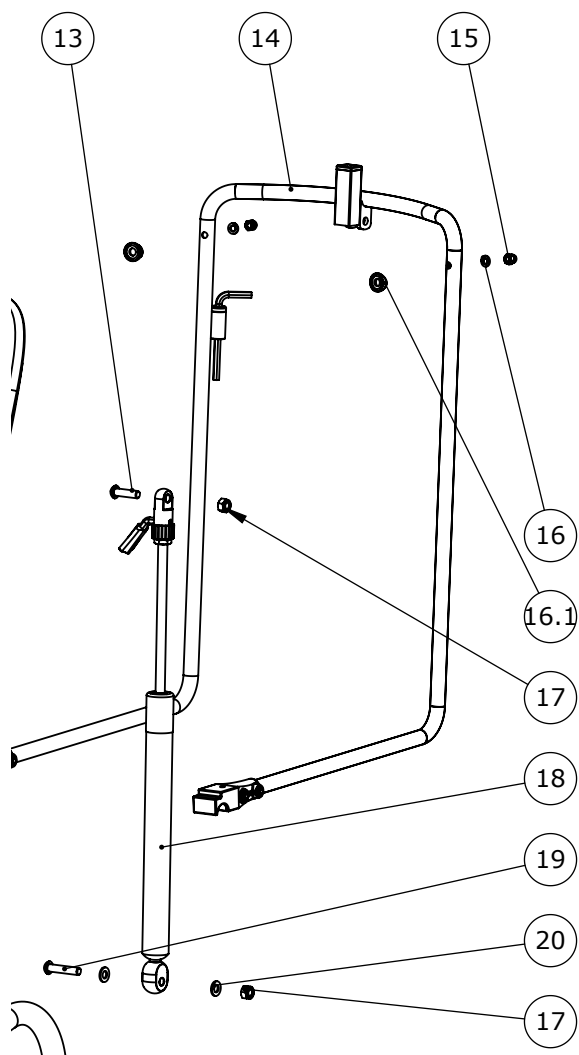


Item numbers for Gas Spring Assembly size 3, 300N (87051-300)

Position	No.	Description	Quantity	Unit of Measure	Ean code
13	0663000	Button head screw 8x30 stainl.	1	PCS	5707292139597
17	1631080	Stainless lock nut M8	2	PCS	5707292141453
18	165787	Gas spring assembly sz. 3 300N	1	PCS	5707292965202
19	0663041	Button head M8x*40, rf	1	PCS	5707292575388
20	1105080	Stainless washer 8mm	2	PCS	5707292140364

*Choose size/color/type

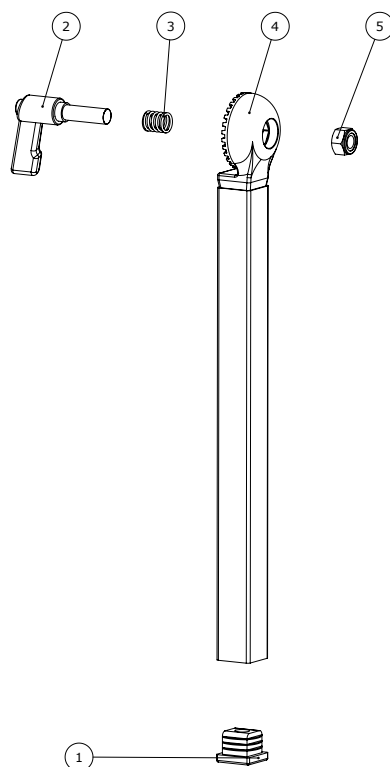
Gas spring Assembly size 4, 400N (87052-400)



Item numbers for Gas Spring Assembly size 4, 400N (87052-400)

Position	No.	Description	Quantity	Unit of Measure	Ean code
13	0663000	Button head screw 8x30 stainl.	1	PCS	5707292139597
17	1631080	Stainless lock nut M8	2	PCS	5707292141453
18	147096	Gas spring assembly size 4	1	PCS	5707292915962
19	0663041	Button head M8x40, rf	1	PCS	5707292575388
20	1105080	Stainless washer 8mm	2	PCS	5707292140364
*Choose size/color/type					

Rod for Foot Support (87023, 87024 & 87025)



Item numbers for Rod for Foot Support (87023)

Position	No.	Description	Quantity	Unit of Measure	Ean code
1	2500900	Tube legs white 20x20mm. Inter	1	PCS	5707292143877
2	3502735	Tightening handle 42/M8x25 whi	1	PCS	5707292918345
3	142096	Spring	1	PCS	5707292916501
4	151199	Footplate suspension 250 mm	1	PCS	5707292921239
5	1631080	Stainless lock nut M8	1	PCS	5707292141453

*Choose size/color/type

Item numbers for Rod for Foot Support (87024)

Position	No.	Description	Quantity	Unit of Measure	Ean code
1	2500900	Tube legs white 20x20mm. Inter	1	PCS	5707292143877
2	3502735	Tightening handle 42/M8x25 whi	1	PCS	5707292918345
3	142096	Spring	1	PCS	5707292916501
4	150502	Footplate suspension 350 mm	1	PCS	5707292921222
5	1631080	Stainless lock nut M8	1	PCS	5707292141453

*Choose size/color/type

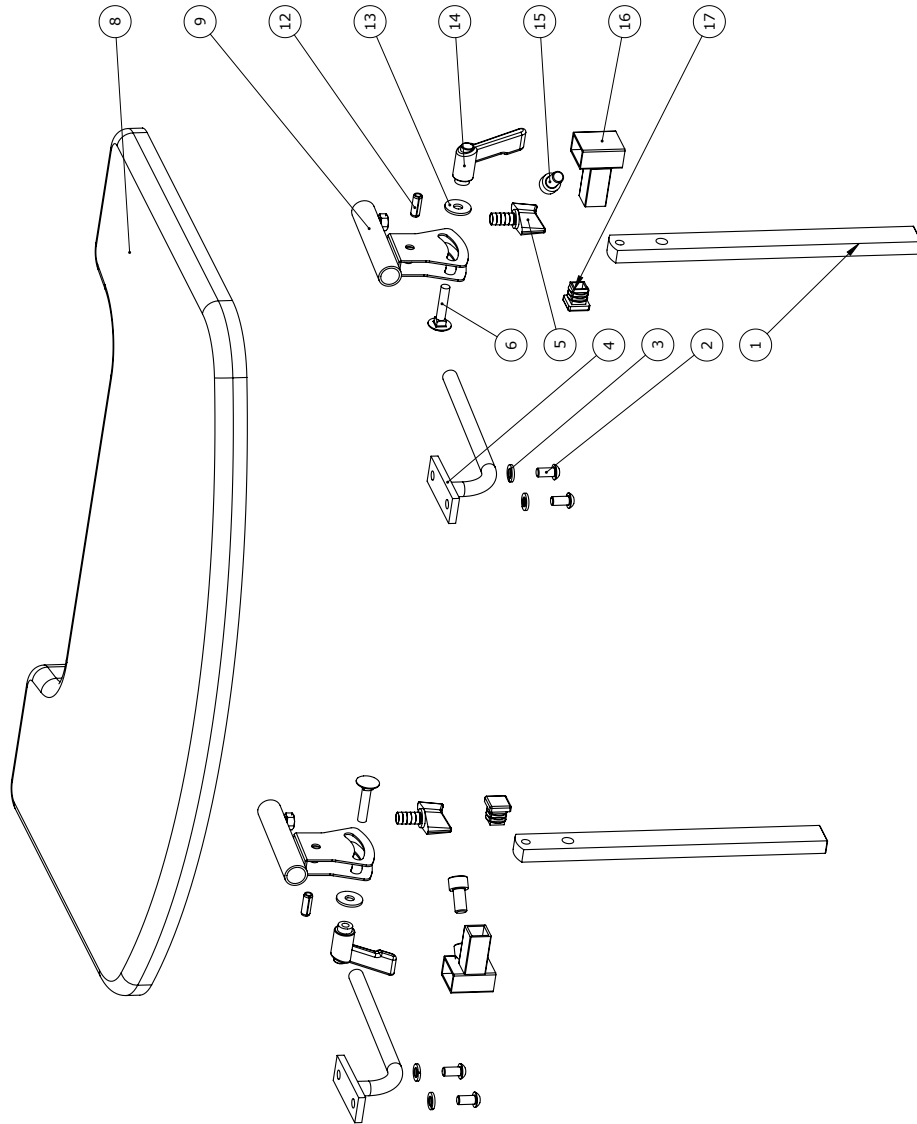
Item numbers for Rod for Foot Support (87025)

Position	No.	Description	Quantity	Unit of Measure	Ean code
1	2500900	Tube legs white 20x20mm. Inter	1	PCS	5707292143877
2	3502735	Tightening handle 42/M8x25 whi	1	PCS	5707292918345
3	142096	Spring	1	PCS	5707292916501
4	149836	Footplate suspension 500 mm	1	PCS	5707292916341
5	1631080	Stainless lock nut M8	1	PCS	5707292141453

*Choose size/color/type

Table, size 1 (87038)

Pos no.	Qty.	Item no.	Description.
1	2	81667	Rod for armrest
2	4	0659200	M6*12-BH-SS-A-A4
3	4	1100490	W6*12*1,6-SP-SS
4	2	81664	Mounting f. table
5	2	3503200	FS-M6x14
6	2	1905300	M6*30-CB-SS-A2
8	1	81660	Table top size 1
9	2	81666	Mounting for Armrest
12	2	0589300	SPN6*16
13	2	1130600	W6,4*18*1,6-FL-SS
14	2	3502400	Clamping levers M6-40 W SS
15	2	0609816	M8*16-CY-SS-A-A2
16	2	149467	Bracket for table mount
17	2	2504005	FRS15x15-WH



 R82 A/S Parallelvej 3 8751 Gedved Denmark	Created by JS	Revisions 2	Revisions 149643
	Created date 05-02-2020	Revisions 1063	Revisions 149643
Nothing compares to a smile			
Swan table size 1			

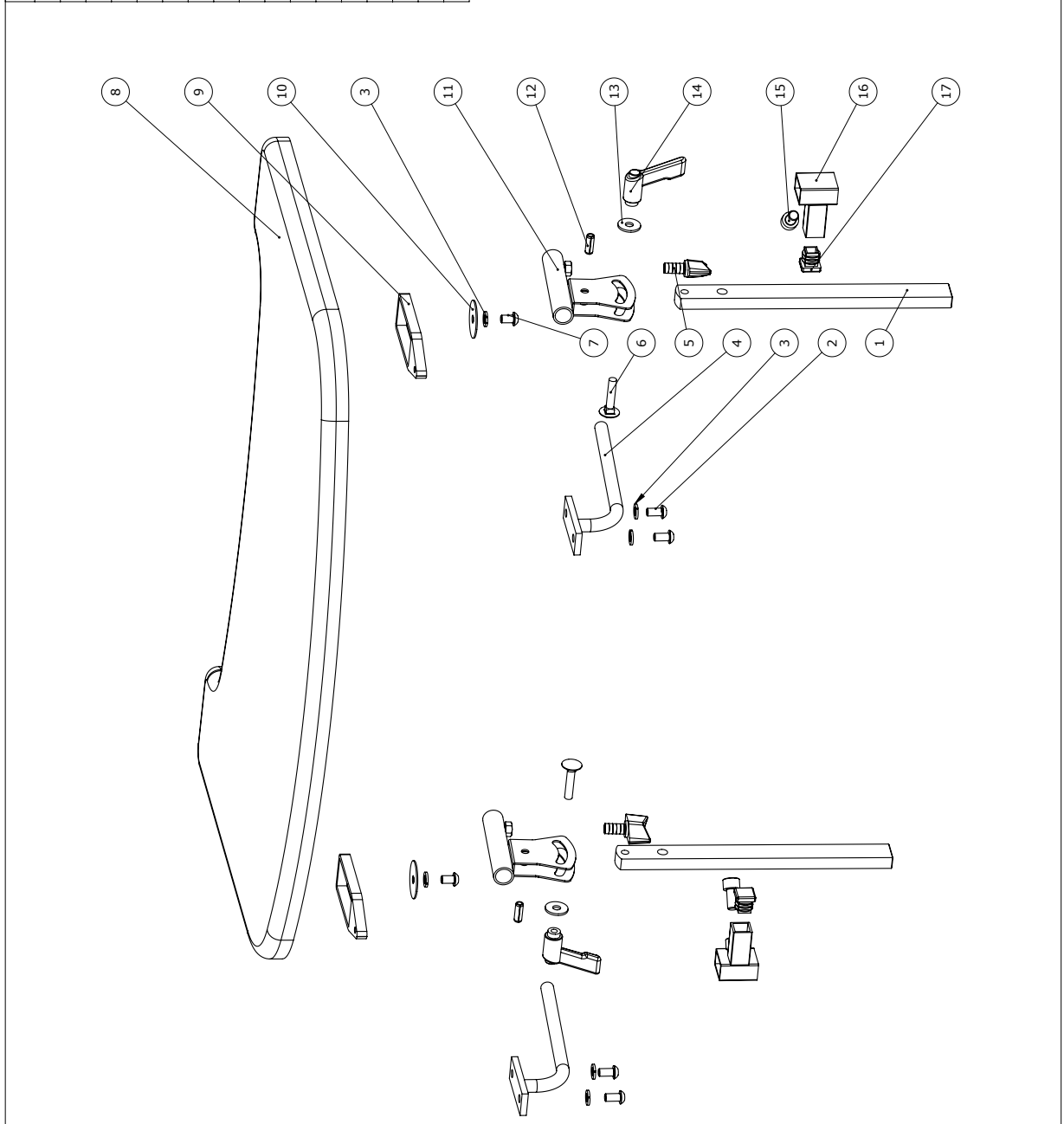
C:\PMP\pmpweb\1005\1025000\www site 1\149643

Item numbers for Table, size 1 (87038)

Position	No.	Description	Quantity	Unit of Measure	Ean code
1	81667	Rod for armrest, Swan	2	PCS	5707292117588
2	0659200	Buttonhead screw M6*12 stainl.	4	PCS	5707292139436
3	1100490	Spring washer M6 stainless	4	PCS	5707292411297
4	81664	Mounting for table, Swan	2	PCS	5707292117557
5	3503200	White fingerscrew M6*14 rustle	2	PCS	5707292146991
6	1905020	Board bolt 6*20mm, stainless	2	PCS	5707292142245
8	81660	Table plate Swan 1+2	1	PCS	5707292117519
9	81666	Arm rest mounting, Swan	2	PCS	5707292117571
12	0589300	Stainl. Teigtning sprig 6*16	2	PCS	5707292137821
13	1130600	Stainless washer M6 din9021	2	PCS	5707292140517
14	3502400	Tightening handle 42mm M6 bush	2	PCS	5707292146892
15	0609816	Stainless inset screw 8*16	2	PCS	5707292138569
16	149467	bracket for table mounting	2	PCS	5707292915979
17	2504005	Ferrule e15*15*1,0-2,int.black	2	PCS	5707292144119
*Choose size/color/type					

Table, size 2 (87039)

Pos no.	Qty.	Item no.	Description.
1	2	81667	Rod for armrest
2	4	0659200	M6*12-BH-SS-A-A4
3	6	1100490	W6*12*1,6-SP-SS
4	2	81664	Mounting f. table
5	2	3503200	FS-M6x14
6	2	1905300	M6*30-CB-SS-A2
7	2	0659005	M6*10-BH-SS-A-A2
8	1	81659	Table top size 2
9	2	149928	Displacement bracket 30mm
10	2	1102770	W6,5*30*1-FL-FZB
11	2	81666	Mounting for Armrest
12	2	0589300	SPN6*16
13	2	1130600	W6,4*18*1,6-FL-SS
14	2	3502400	Clamping levers M6-40 W SS
15	2	0609816	M8*16-CY-SS-A-A2
16	2	149467	Bracket for table mount
17	2	2504005	FRS15x15-WH



 R82 A/S Parallelvej 3 8751 Gedved Denmark	Created by JS	Revisions 2	Revisions by JS
	Created date 21-03-2020	Revisions date 04-02-2021	Revisions 1063
Revisions nothing compares to a smile			Item no. 149534
Swan table size 2			Item no. 149534

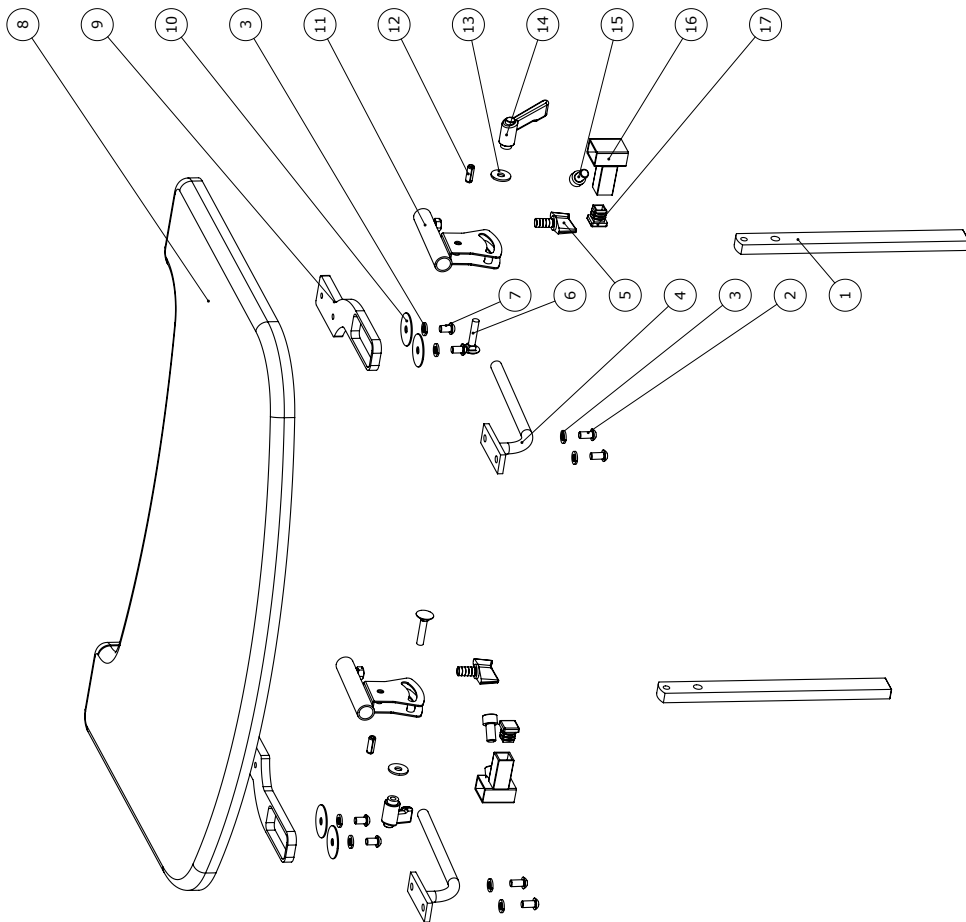
Item numbers for Table, size 2 (87039)

Position	No.	Description	Quantity	Unit of Measure	Ean code
1	81667	Rod for armrest, Swan	2	PCS	5707292117588
2	0659200	Buttonhead screw M6x12 stainl.	4	PCS	5707292139436
3	1100490	Spring washer M6 stainless	6	PCS	5707292411297
4	81664	Mounting for table, Swan	2	PCS	5707292117557
5	3503200	White fingerscrew M6x14 rustle	2	PCS	5707292146991
6	1905020	Board bolt 6x20mm, stainless	2	PCS	5707292142245
7	0659005	Insex button head M6x10, stainl	4	PCS	5707292423740
8	81659	Table plate, Swan 3+4+5	1	PCS	5707292117502
9	149928	Displacement bracket	2	PCS	5707292924254
10	1102770	Protective disc	4	PCS	5707292518507
11	81666	Arm rest mounting, Swan	2	PCS	5707292117571
12	0589300	Stainl. Teigtning sprig 6x16	2	PCS	5707292137821
13	1130600	Stainless washer M6 din9021	2	PCS	5707292140517
14	3502400	Tightening handle 42mm M6 bush	2	PCS	5707292146892
15	0609816	Stainless insex screw 8x16	2	PCS	5707292138569
16	149467	bracket for table mounting	2	PCS	5707292915979
17	2504005	Ferrule e15x15x1,0-2,int.black	2	PCS	5707292144119

*Choose size/color/type

Table, size 3 (87040)

Pos no.	Qty.	Item no.	Description.
1	2	81667	Rod for armrest
2	4	0659200	M6*12-BH-SS-A-A4
3	8	1100490	W6*12*1,6-SP-SS
4	2	81664	Mounting f. table
5	2	3503200	FS-M6x14
6	2	1905300	M6*30-CB-SS-A2
7	4	0659005	M6*10-BH-SS-A-A2
8	1	81659	Table top size 2
9	2	149639	mounting plate size 3 table
10	4	1102770	W6,5*30*1-FL-FZB
11	2	81666	Mounting for Armrest
12	2	0589300	SPN6*16
13	2	1130600	W6,4*18*1,6-FL-SS
14	2	3502400	Clamping levers M6-40 W SS
15	2	0609816	M8*16-CY-SS-A-A2
16	2	149467	Bracket for table mount
17	2	2504005	FRS15x15-WH



 R82 A/S Parallelvej 3 8751 Gedved Denmark	Created by J/S	Revisions 3	Revision by J/S
	Created date 20/01-2020	Revision date 27-02-2021	Item no. 149527
Matching component to a frame Swan table size 3		Part no. 1063	Item no. 149527

C:\01\04\01\000\03\0000\www\87149527

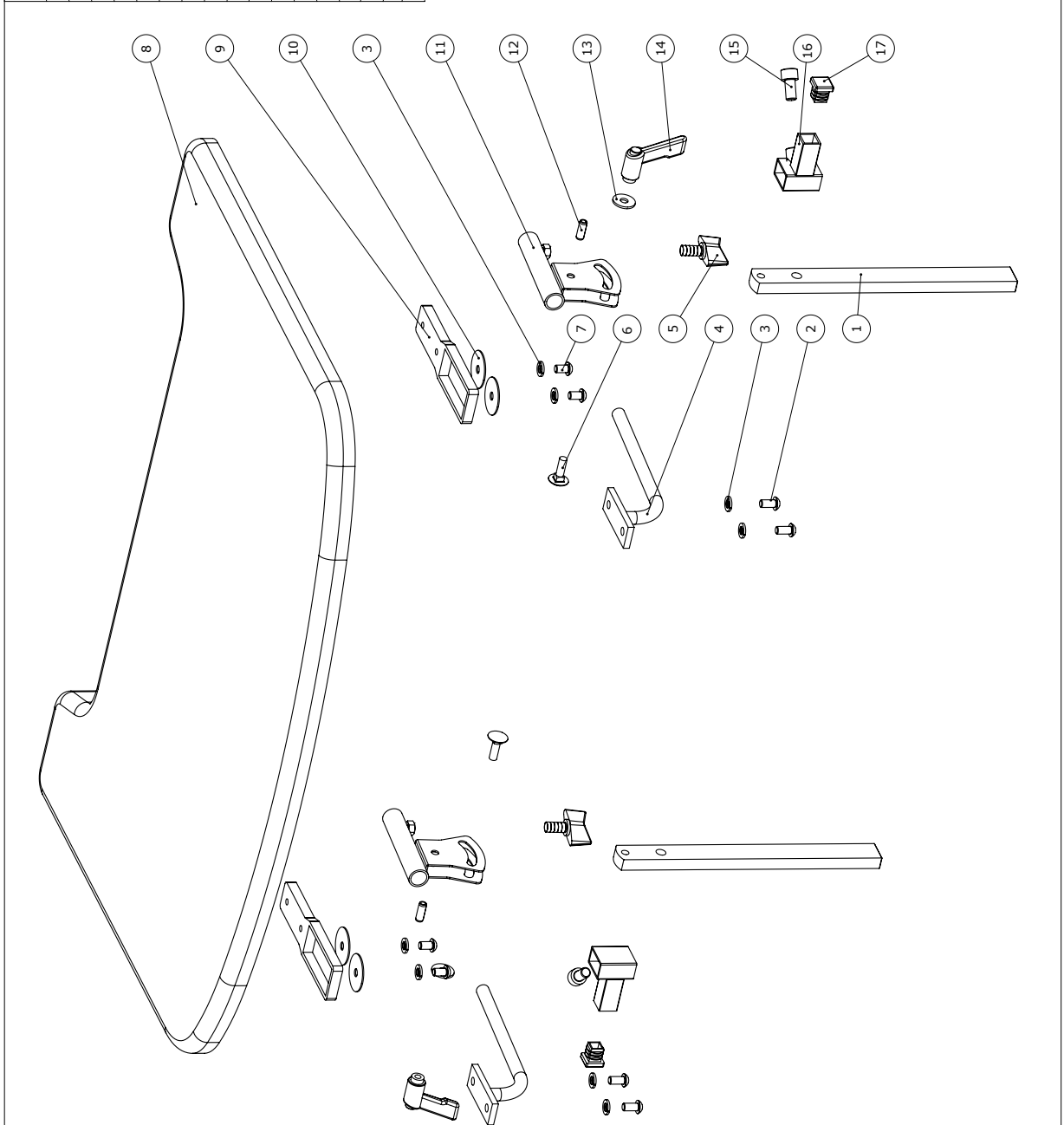
Item numbers for Table, size 3 (87040)

Position	No.	Description	Quantity	Unit of Measure	Ean code
1	81667	Rod for armrest, Swan	2	PCS	5707292117588
2	0659200	Buttonhead screw M6x12 stainl.	4	PCS	5707292139436
3	1100490	Spring washer M6 stainless	6	PCS	5707292411297
4	81664	Mounting for table, Swan	2	PCS	5707292117557
5	3503200	White fingerscrew M6x14 rustle	2	PCS	5707292146991
6	1905020	Board bolt 6x20mm, stainless	2	PCS	5707292142245
7	0659005	Insex button head M6x10, stainl	4	PCS	5707292423740
8	81659	Table plate, Swan 3+4+5	1	PCS	5707292117502
9	149639	Mounting plate size 3 table	2	PCS	5707292931047
10	1102770	Protective disc	4	PCS	5707292518507
11	81666	Arm rest mounting, Swan	2	PCS	5707292117571
12	0589300	Stainl. Teigtning sprig 6x16	2	PCS	5707292137821
13	1130600	Stainless washer M6 din9021	2	PCS	5707292140517
14	3502400	Tightening handle 42mm M6 bush	2	PCS	5707292146892
15	0609816	Stainless insex screw 8x16	2	PCS	5707292138569
16	149467	bracket for table mounting	2	PCS	5707292915979
17	2504005	Ferrule e15x15x1,0-2,int.black	2	PCS	5707292144119

*Choose size/color/type

Table, size 4 (87041)

Pos no.	Qty.	Item no.	Description.
1	2	81667	Rod for armrest
2	4	0659200	M6*12-BH-SS-A-A4
3	8	1100490	W6*12*1,6-SP-SS
4	2	81664	Mounting f. table
5	2	3503200	FS-M6x14
6	2	1905020	M6*20-CB-SS-A2
7	4	0659005	M6*10-BH-SS-A-A2
8	1	81658	Table top size 3-4
9	2	149914	Displacement bracket 60mm
10	4	1102770	W6,5*30*1-FL-FZB
11	2	81666	Mounting for Armrest
12	2	0589300	SPN6*16
13	2	1130600	W6,4*18*1,6-FL-SS
14	2	3502400	Clamping levers M6-40 W SS
15	2	0609816	M8*16-CY-SS-A-A2
16	2	149467	Bracket for table mount
17	2	2504005	FRS15x15-WH



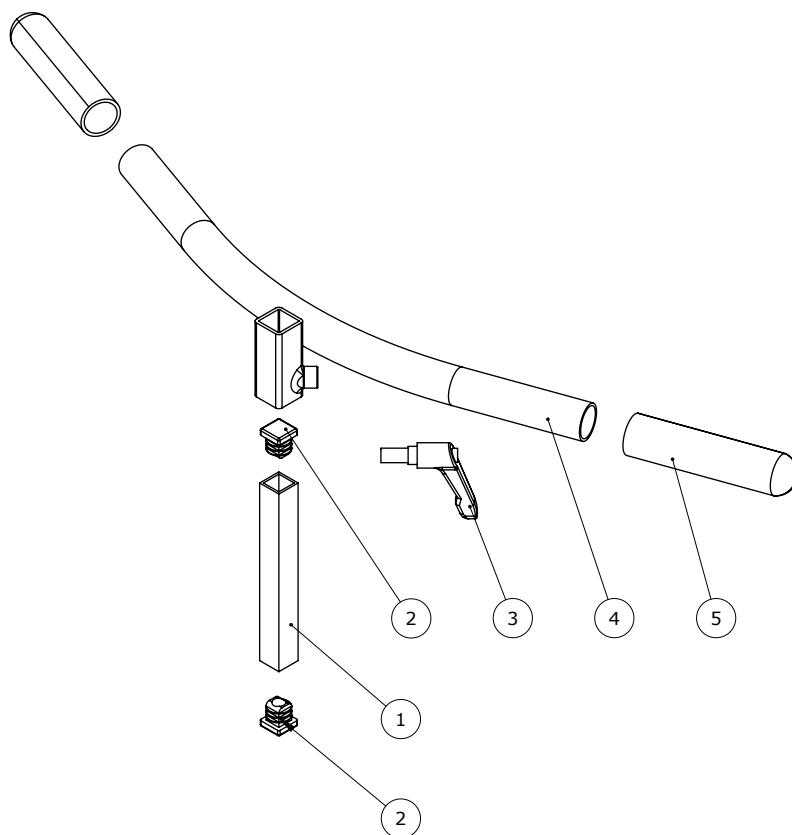
R82 R82 A/S Højbjergvej 3 8751 Gedved DK	Created by JIS	Revised by JIS	Created date 03-03-2020	Revised date 04-02-2021
Nothing compares to a Smile		Part no. 1063	Item no. 149470	
Swan table size 4				

Item numbers for Table, size 4 (87041)

Position	No.	Description	Quantity	Unit of Measure	Ean code
1	81667	Rod for armrest, Swan	2	PCS	5707292117588
2	0659200	Buttonhead screw M6x12 stainl.	4	PCS	5707292139436
3	1100490	Spring washer M6 stainless	6	PCS	5707292411297
4	81664	Mounting for table, Swan	2	PCS	5707292117557
5	3503200	White fingerscrew M6x14 rustle	2	PCS	5707292146991
6	1905020	Board bolt 6x20mm, stainless	2	PCS	5707292142245
7	0659005	Insex button head M6x10,stainl	4	PCS	5707292423740
8	81658	Table plate, Swan 6	1	PCS	5707292117496
9	149914	displacement bracket	2	PCS	5707292915825
10	1102770	Protective disc	4	PCS	5707292518507
11	81666	Arm rest mounting, Swan	2	PCS	5707292117571
12	0589300	Stainl. Teigtning sprig 6x16	2	PCS	5707292137821
13	1130600	Stainless washer M6 din9021	2	PCS	5707292140517
14	3502400	Tightening handle 42mm M6 bush	2	PCS	5707292146892
15	0609816	Stainless insex screw 8x16	2	PCS	5707292138569
16	149467	bracket for table mounting	2	PCS	5707292915979
17	2504005	Ferrule e15x15x1,0-2,int.black	2	PCS	5707292144119

*Choose size/color/type

Push brace, One Size (880110)



Item numbers for Push brace, One Size (880110)

Position	No.	Description	Quantity	Unit of Measure	Ean code
1	71396	Pipe for pushhandle	1	PCS	5707292105615
2	2504005	Ferrule e15x15x1,0-2,int.black	2	PCS	5707292144119
3	3502700	Tightening handle 42/M8x15 whi	1	PCS	5707292146946
4	71394	Pushhandle, Flamingo	1	PCS	5707292105608
5	2500617	Plast grip 22x120mm	2	PCS	5707292143792

*Choose size/color/type